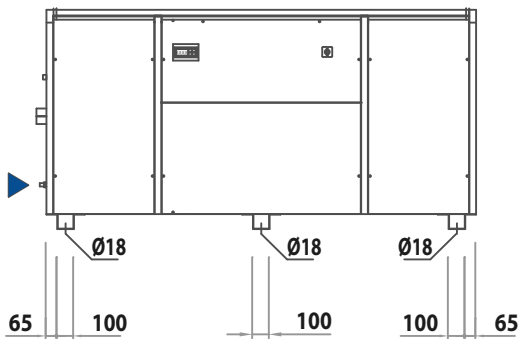
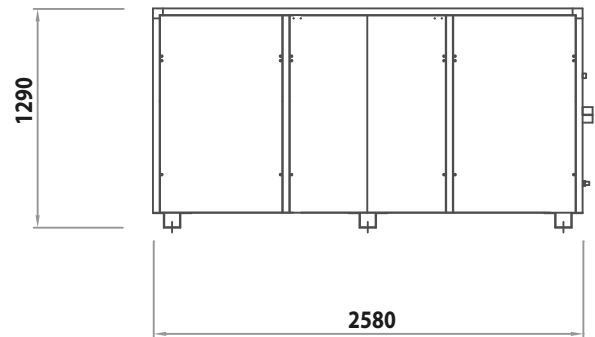


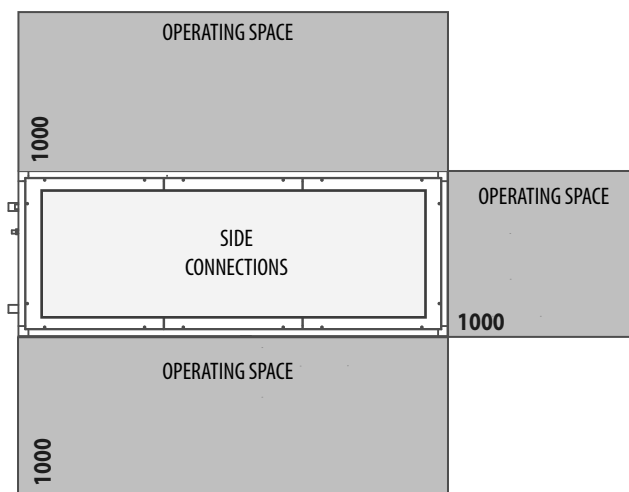
# A\_2580x990



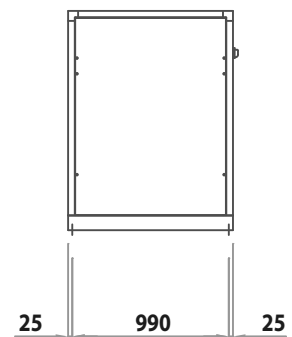
**FRONT VIEW**



**BACK VIEW**



**TOP VIEW**



**SIDE VIEW**

▶ **ELECTRIC CABLES INPUT**