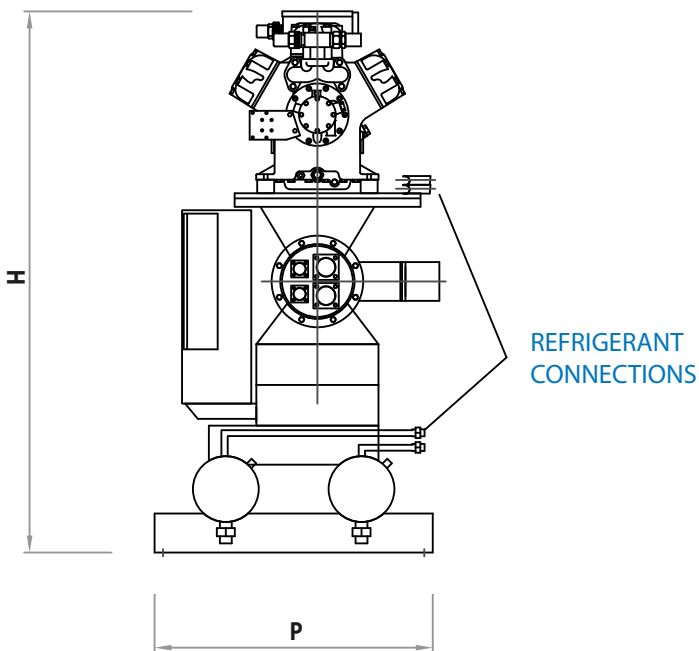
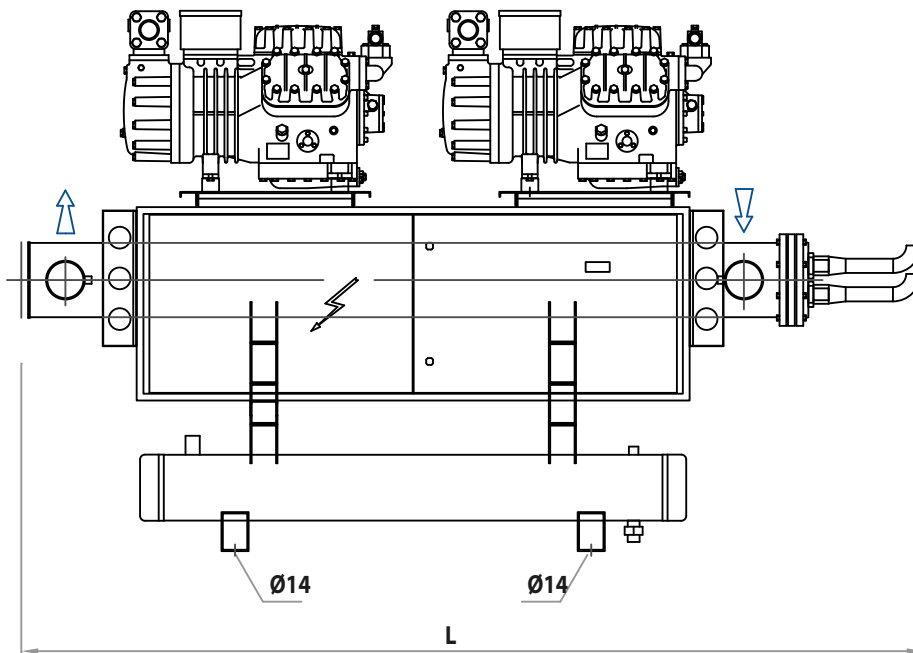


A_2S



	L (mm)	P (mm)	H (mm)
0302 S	1980	740	1180
0402 S	2110	740	1180
0502 S	2020	740	1280
0602 S	2420	740	1280
0702 S	2660	820	1420
0802 S	2660	820	1470
1002 S	2940	820	1510
1202 S	3120	820	1630
1402 S	3120	820	1630
1602 S	3500	920	1950

↑ ↓ EVAPORATOR CONNECTIONS

Note: INDICATIVE DIMENSIONS, FOR MORE DETAILS CONTACT THE SALES DEPARTMENT