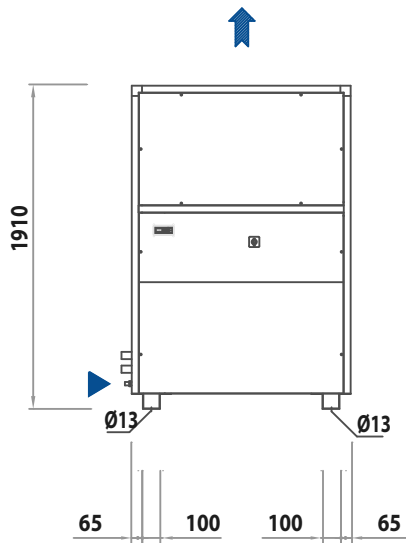
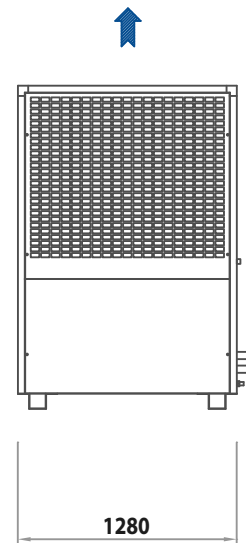


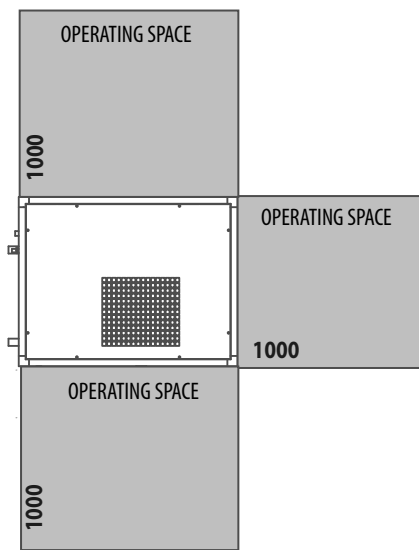
C_1280x990



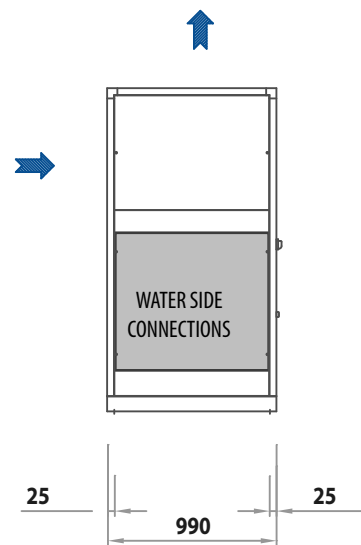
FRONT VIEW



BACK VIEW



TOP VIEW



SIDE VIEW



CONDENSER AIR FLOW



ELECTRIC CABLES INPUT