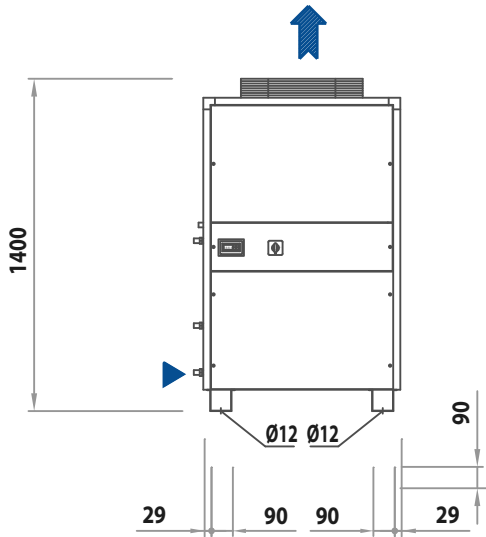
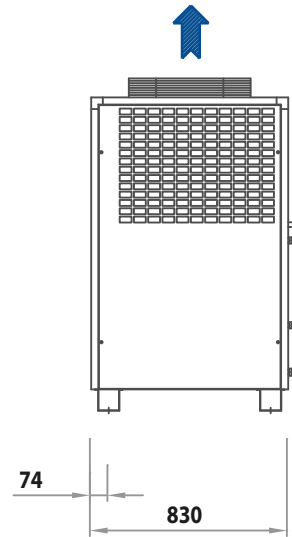


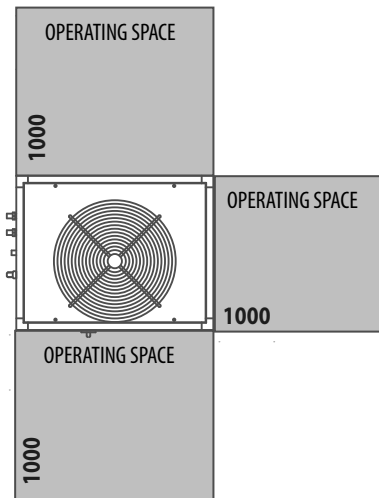
E_830x650



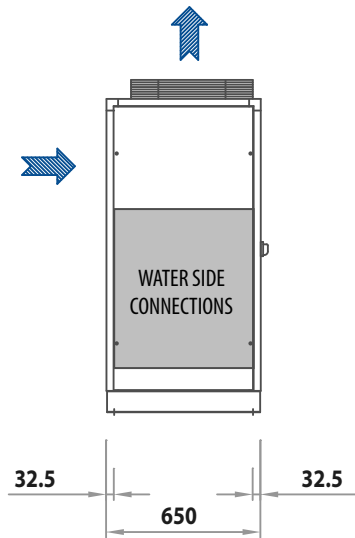
FRONT VIEW



BACK VIEW



TOP VIEW

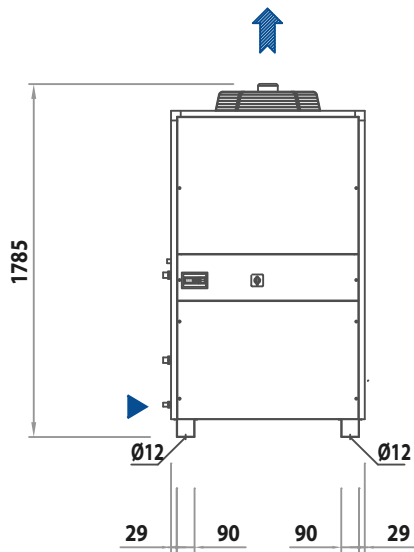


SIDE VIEW

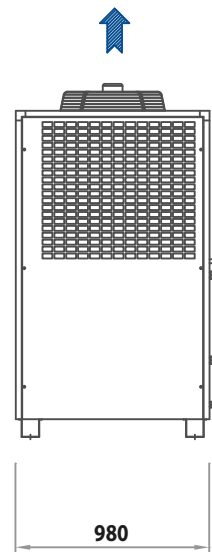
↑ CONDENSER AIR FLOW

▶ ELECTRIC CABLES INPUT

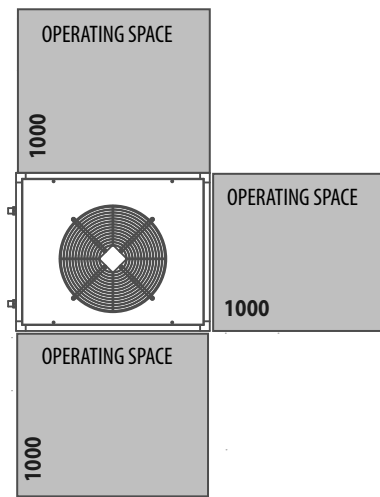
E_980x800



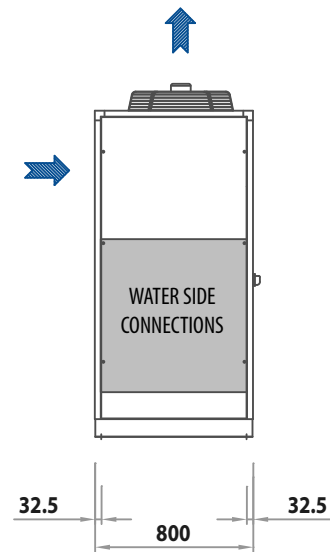
FRONT VIEW



BACK VIEW



TOP VIEW

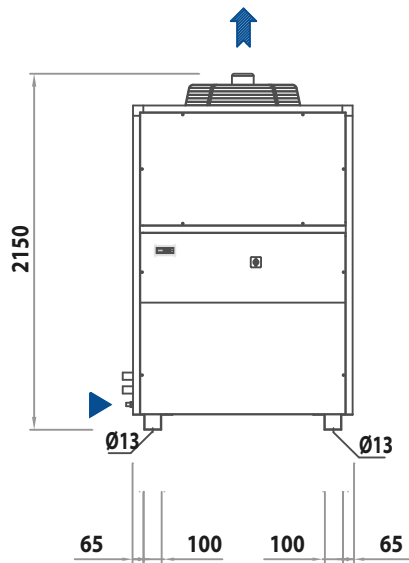


SIDE VIEW

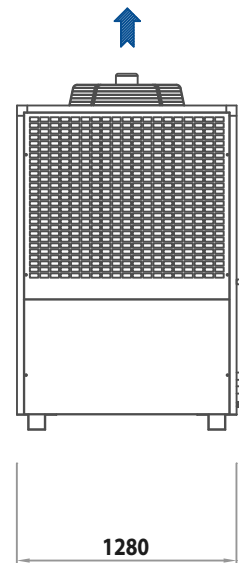
 CONDENSER AIR FLOW

 ELECTRIC CABLES INPUT

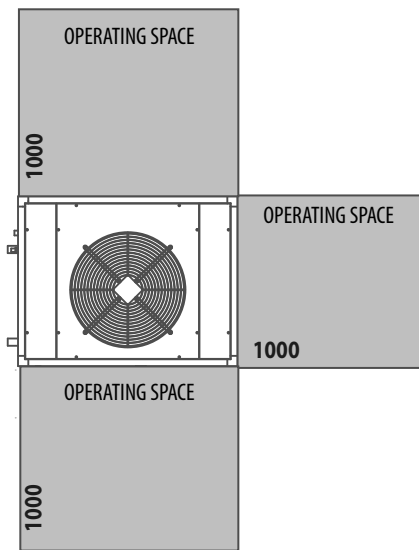
E_1 280x990



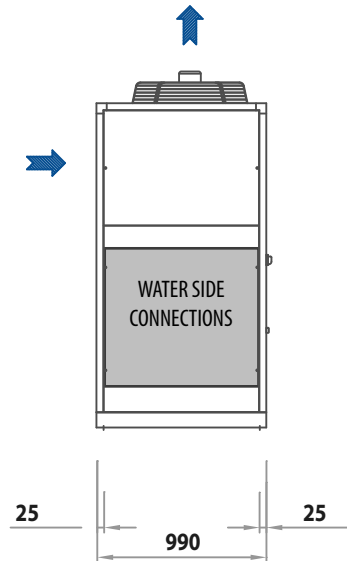
FRONT VIEW



BACK VIEW



TOP VIEW

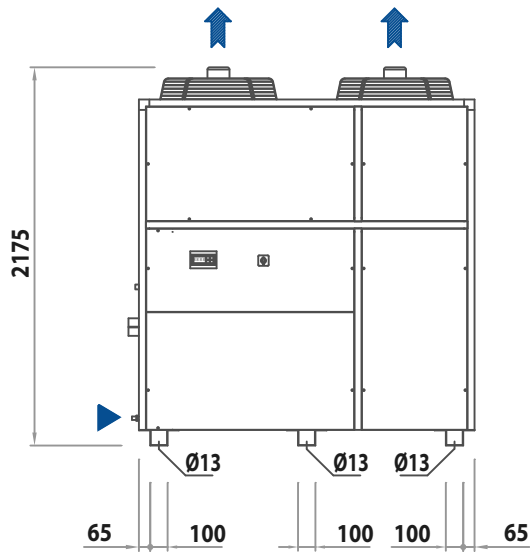


SIDE VIEW

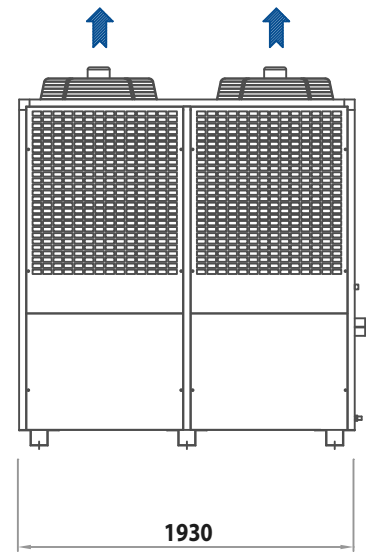
↑ CONDENSER AIR FLOW

▶ ELECTRIC CABLES INPUT

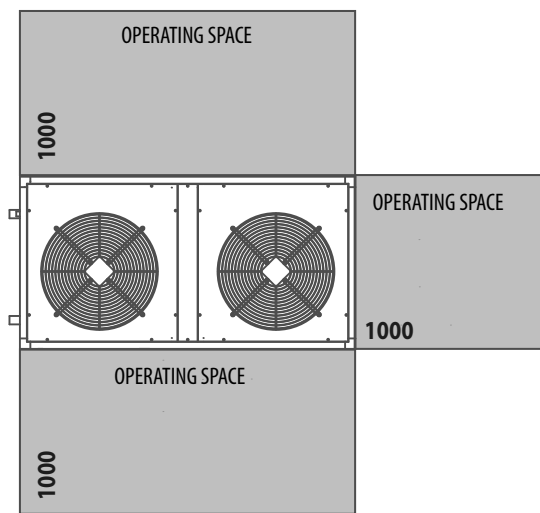
E_1930x990



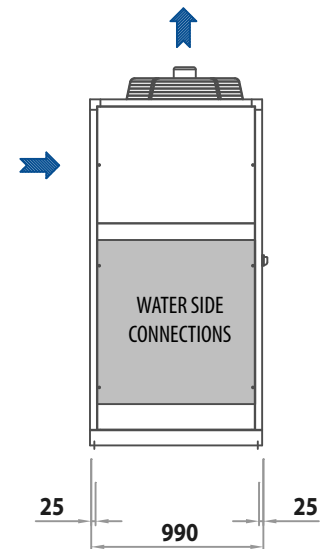
FRONT VIEW



BACK VIEW



TOP VIEW



SIDE VIEW

↑ CONDENSER AIR FLOW

▶ ELECTRIC CABLES INPUT