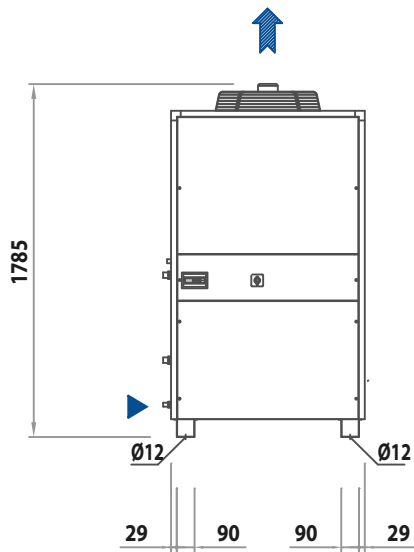
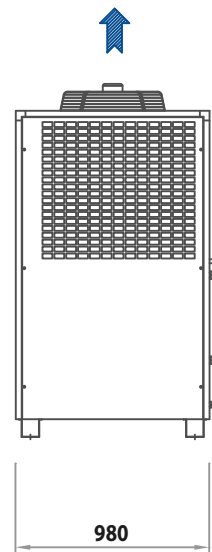


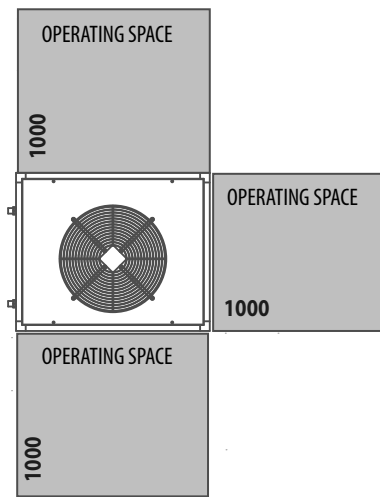
# E\_980x800



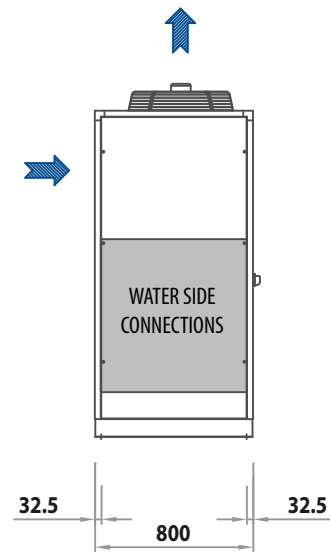
**FRONT VIEW**



**BACK VIEW**



**TOP VIEW**

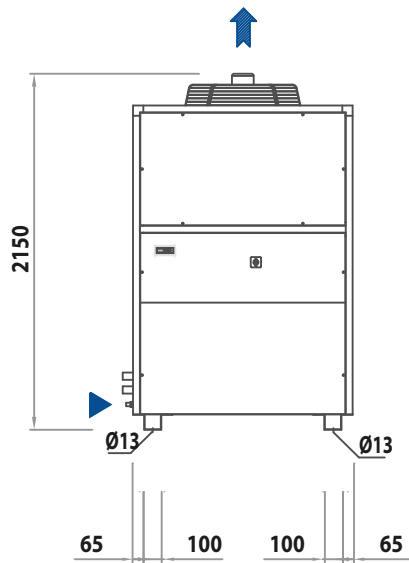


**SIDE VIEW**

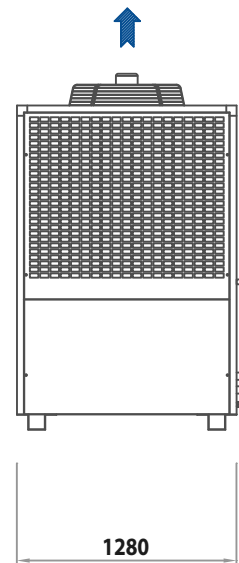
 CONDENSER AIR FLOW

 ELECTRIC CABLES INPUT

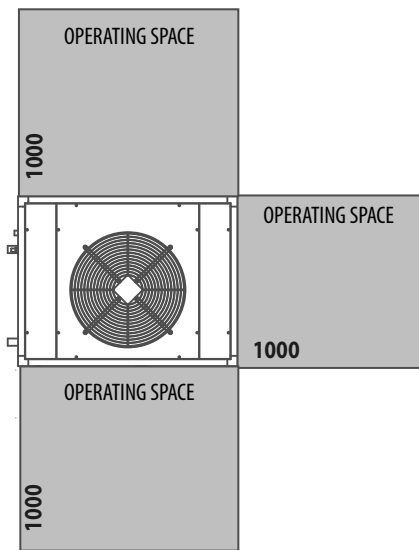
# E\_1 280x990



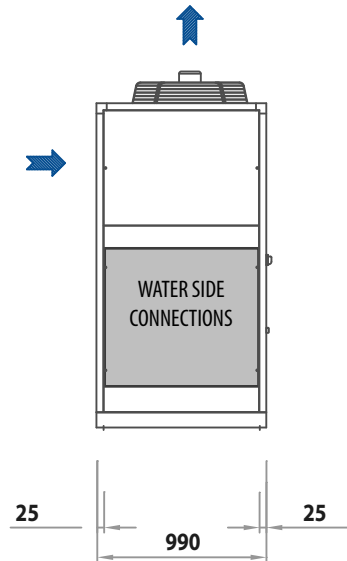
**FRONT VIEW**



**BACK VIEW**



**TOP VIEW**

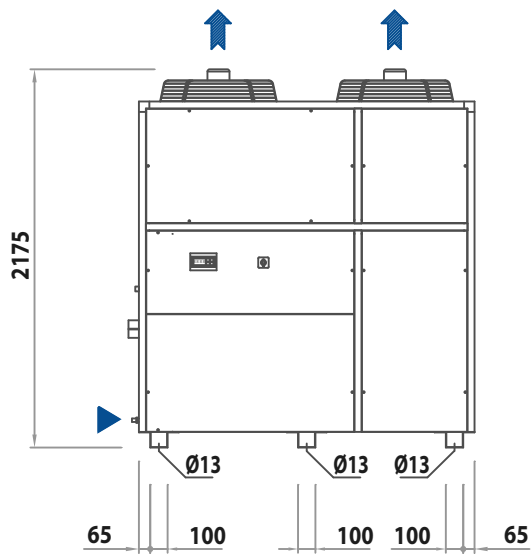


**SIDE VIEW**

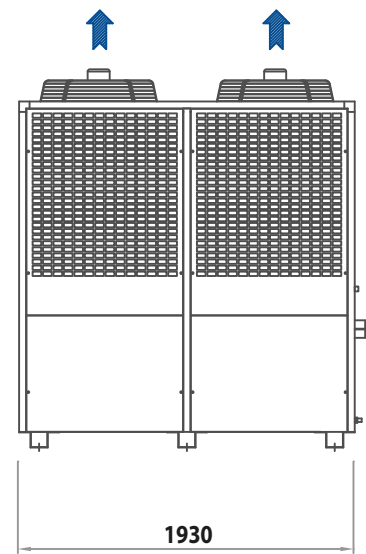
↑ CONDENSER AIR FLOW

▶ ELECTRIC CABLES INPUT

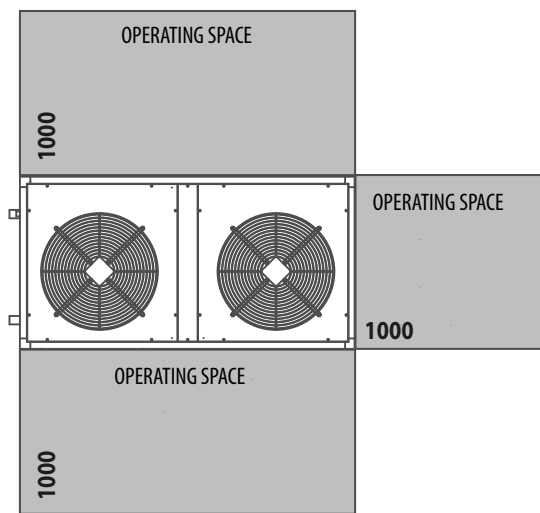
# E\_1 930x990



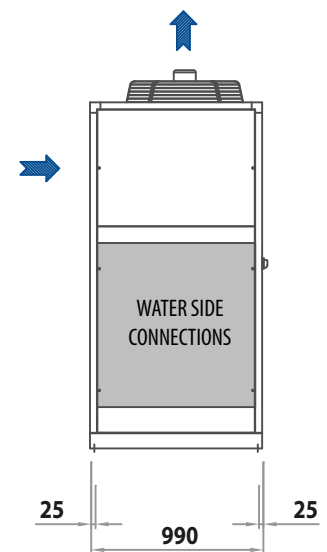
**FRONT VIEW**



**BACK VIEW**



**TOP VIEW**

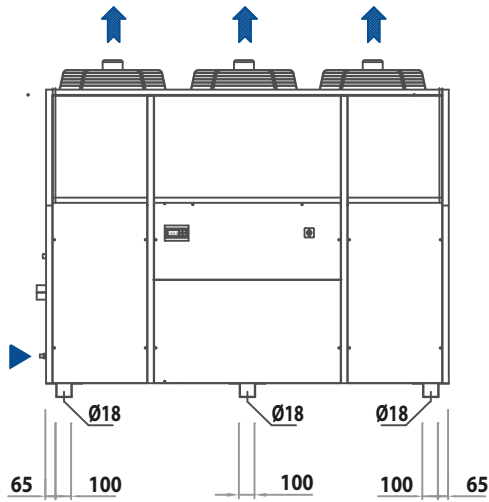


**SIDE VIEW**

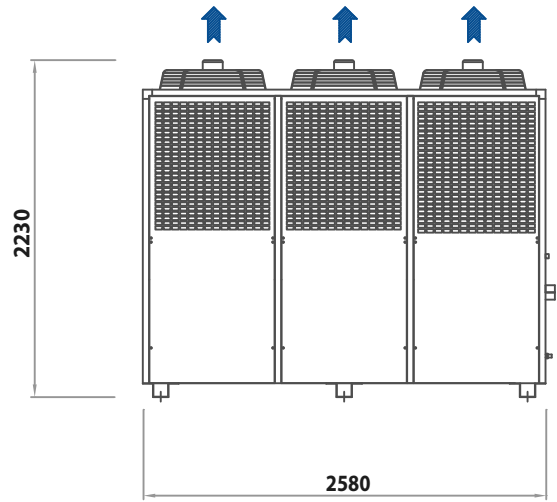
↑ CONDENSER AIR FLOW

▶ ELECTRIC CABLES INPUT

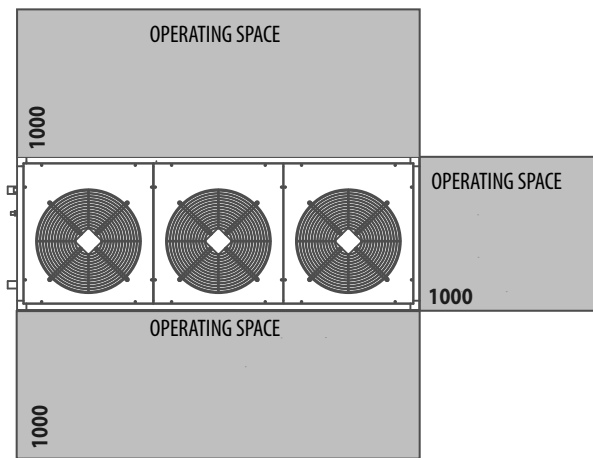
# E\_2580x990



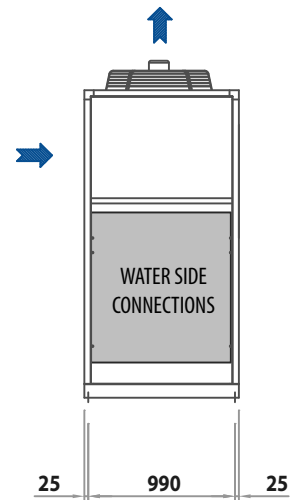
**FRONT VIEW**



**BACK VIEW**



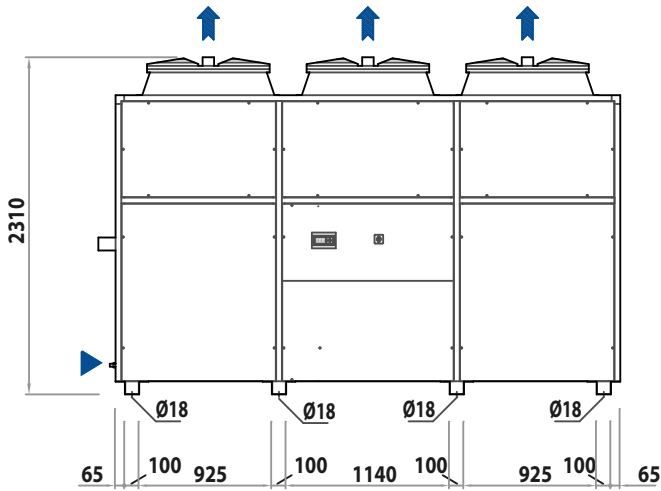
**TOP VIEW**



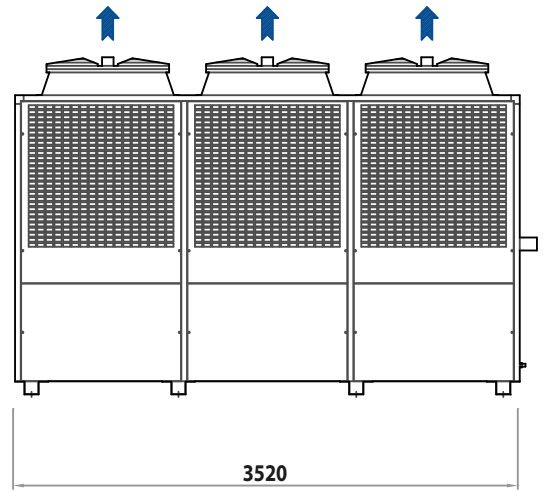
**SIDE VIEW**

-  CONDENSER AIR FLOW
-  ELECTRIC CABLES INPUT

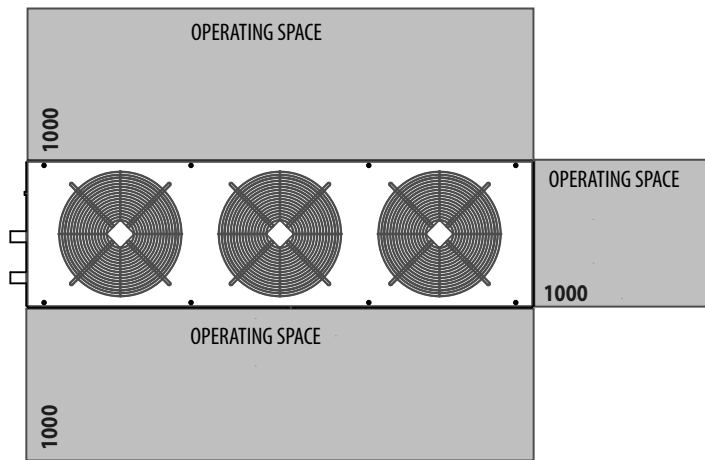
# E\_3520x990



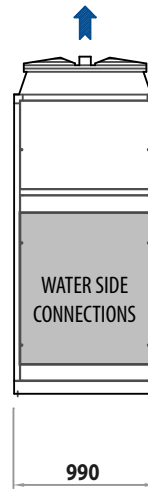
**FRONT VIEW**



**BACK VIEW**



**TOP VIEW**



**SIDE VIEW**

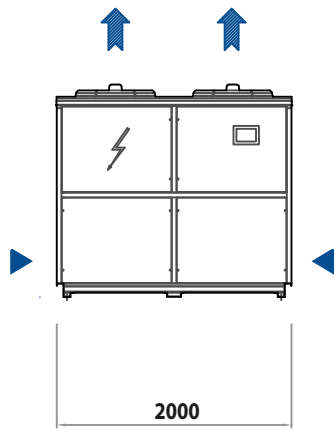


CONDENSER AIR FLOW

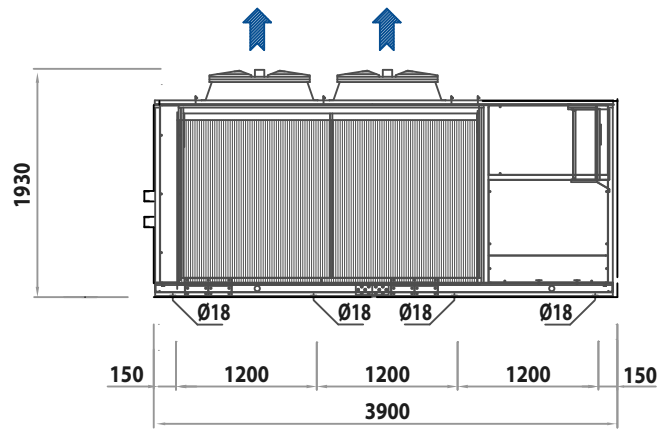


ELECTRIC CABLES INPUT

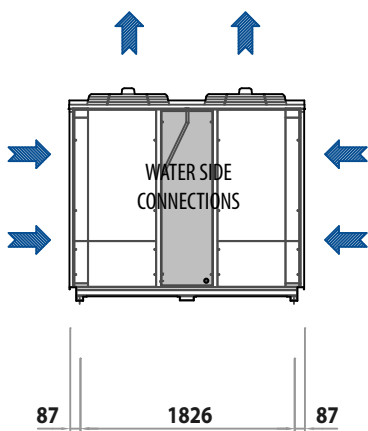
# E\_3900x2000



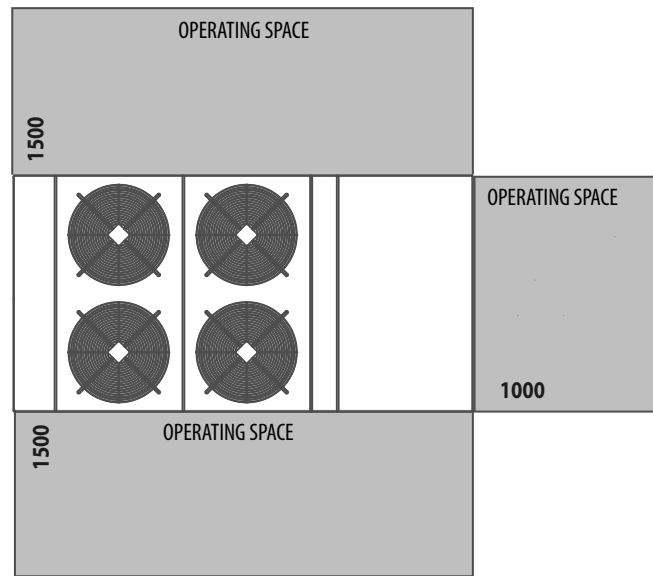
**FRONT VIEW**



**SIDE VIEW**



**BACK VIEW**



**TOP VIEW**

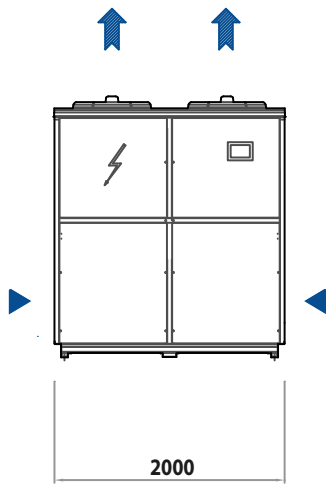


CONDENSER AIR FLOW

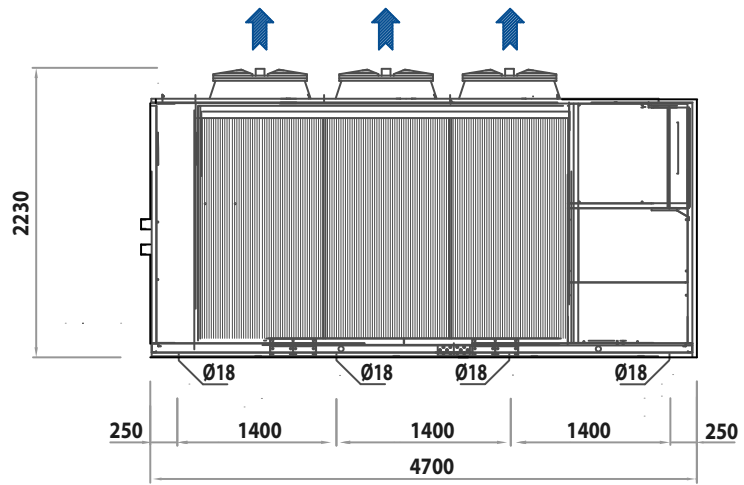


ELECTRIC CABLES INPUT

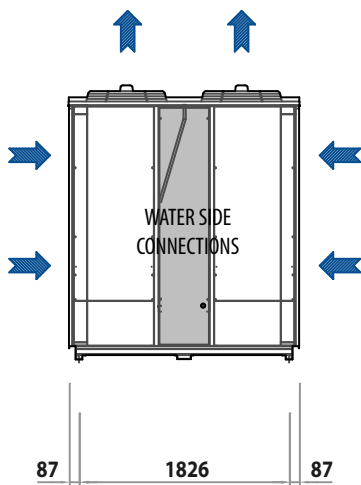
# E\_4700x2000



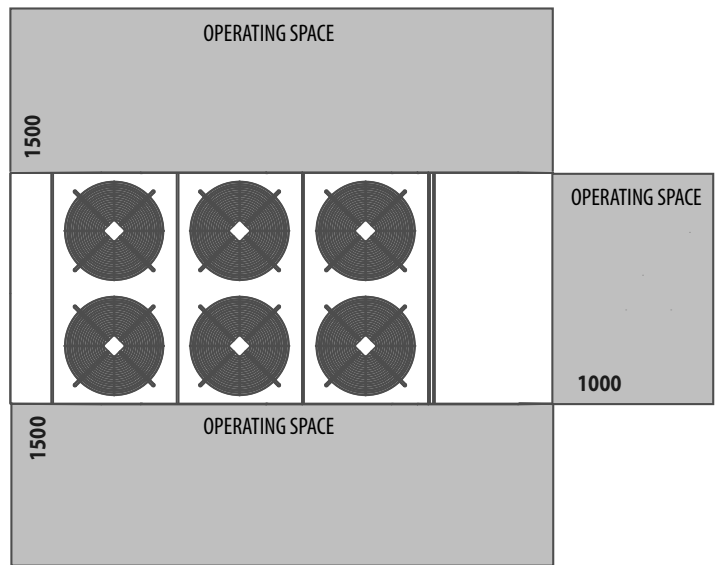
**FRONT VIEW**



**SIDE VIEW**



**BACK VIEW**



**TOP VIEW**



CONDENSER AIR FLOW



ELECTRIC CABLES INPUT