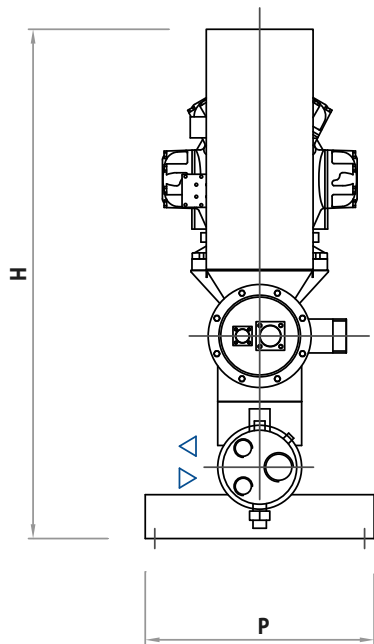
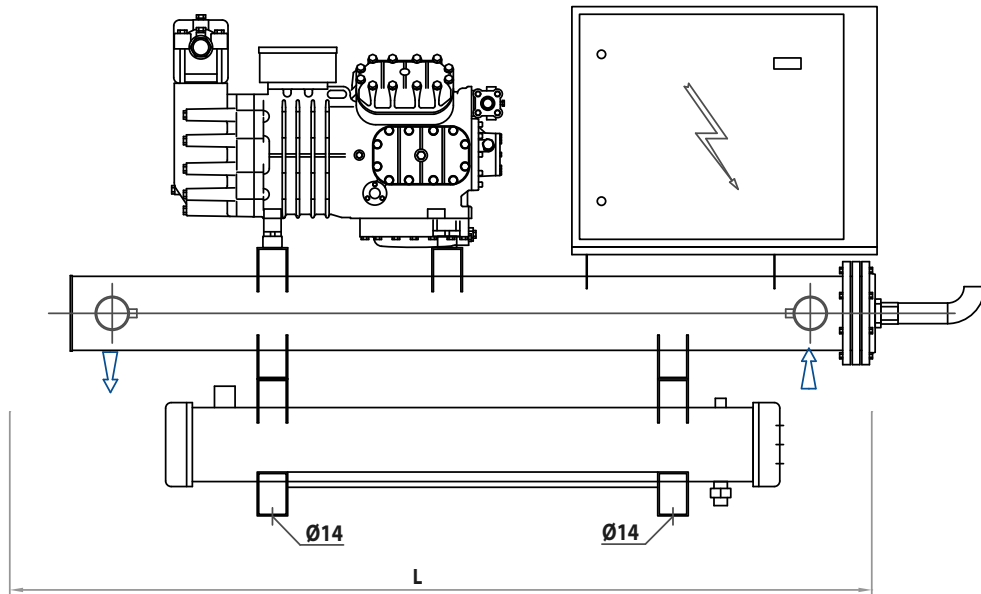


W_1 S

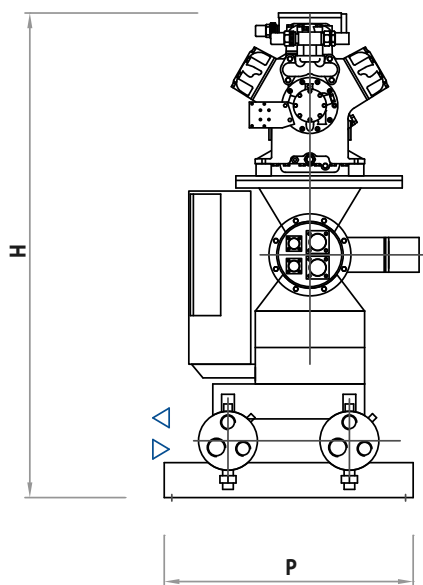
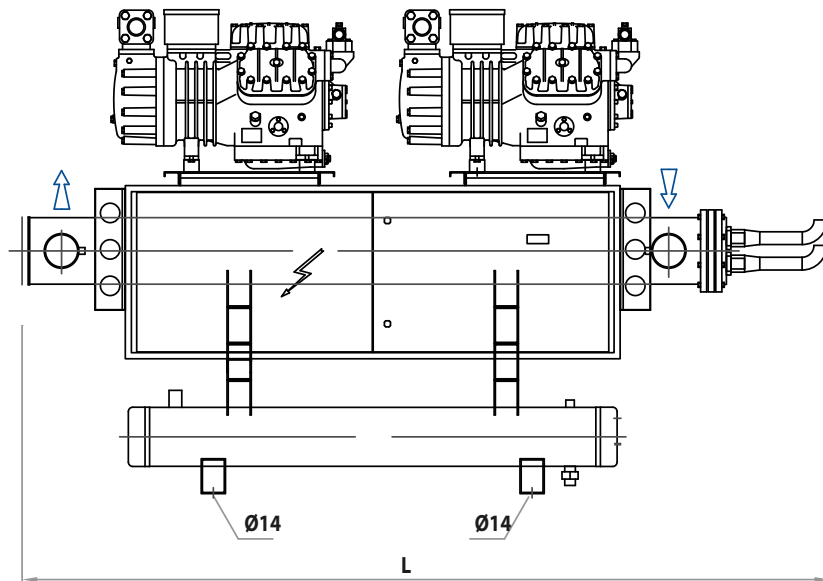


	L (mm)	P (mm)	H (mm)
0151 S	1750	600	1235
0201 S	1750	600	1235
0251 S	1650	600	1235
0301 S	1800	600	1235
0351 S	1990	600	1260
0401 S	2140	600	1260
0501 S	2030	600	1290
0601 S	2430	600	1320
0701 S	2630	700	1450

↑ ↓ EVAPORATOR CONNECTIONS

◁ ▷ CONDENSER CONNECTIONS

Note: INDICATIVE DIMENSIONS, FOR MORE DETAILS CONTACT THE SALES DEPARTMENT



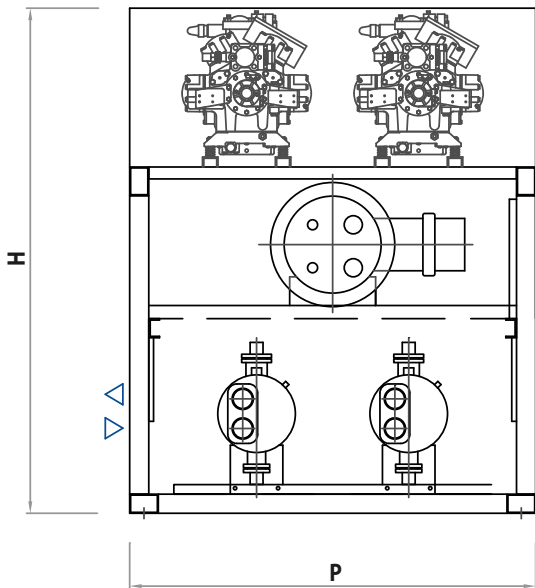
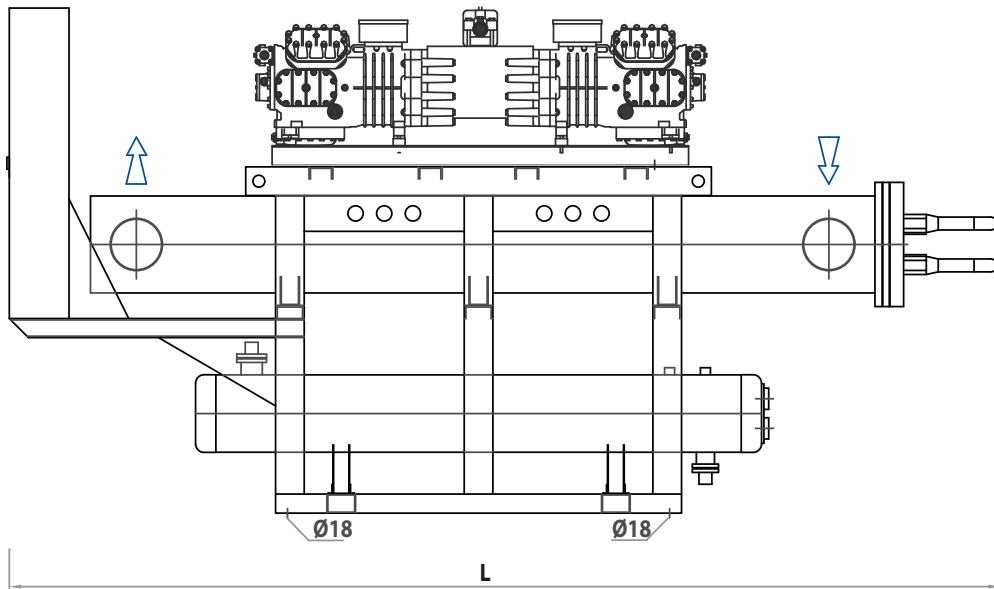
	L (mm)	P (mm)	H (mm)
0302 S	1960	740	1180
0402 S	2110	740	1180
0502 S	2020	740	1280
0602 S	2420	740	1280
0702 S	2660	820	1340
0802 S	2660	820	1385
1002 S	2940	820	1530
1202 S	3120	820	1650
1402 S	3120	920	1730
1602 S	3500	920	1950

↑ ↓ EVAPORATOR CONNECTIONS

◁ ▷ CONDENSER CONNECTIONS

Note: INDICATIVE DIMENSIONS, FOR MORE DETAILS CONTACT THE SALES DEPARTMENT

W_4S



	L (mm)	P (mm)	H (mm)
1404 S	3570	1350	1860
1604 S	3570	1350	1860
2004 S	3570	1350	1860
2404 S	3570	1350	1860
2804 S	3570	1600	1910

↑ ↓ EVAPORATOR CONNECTIONS

◁ ▷ CONDENSER CONNECTIONS

Note: INDICATIVE DIMENSIONS, FOR MORE DETAILS CONTACT THE SALES DEPARTMENT