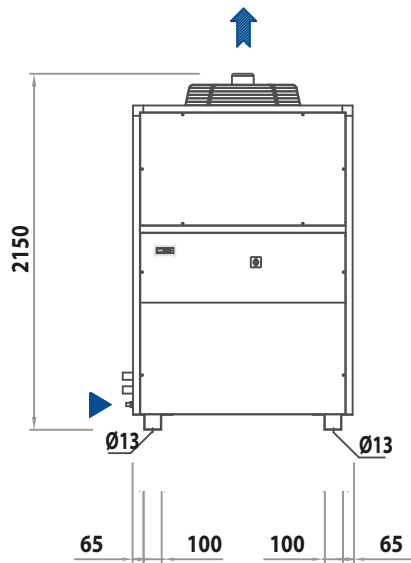
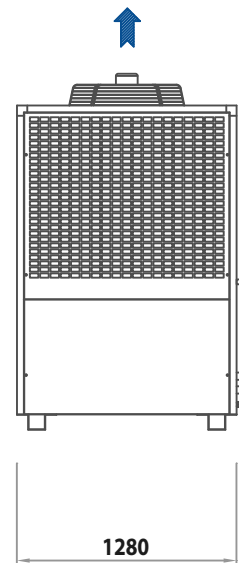


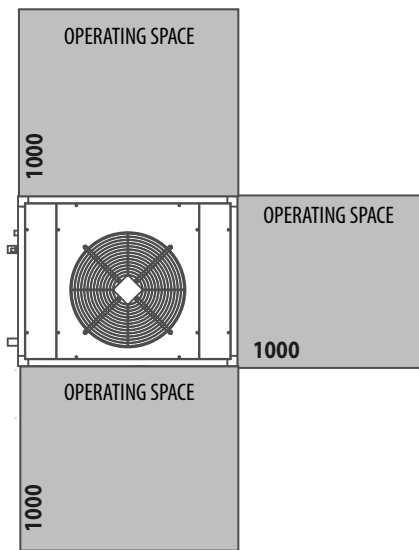
E_1 280x990



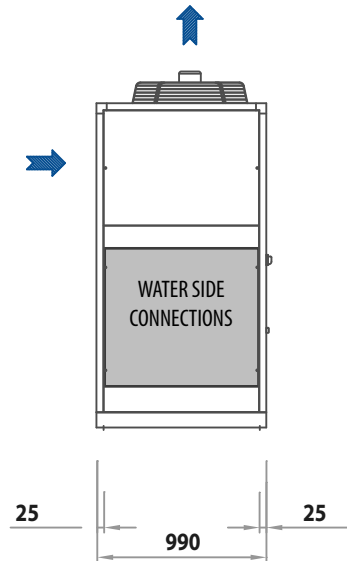
FRONT VIEW



BACK VIEW



TOP VIEW



SIDE VIEW

↑ CONDENSER AIR FLOW

▶ ELECTRIC CABLES INPUT