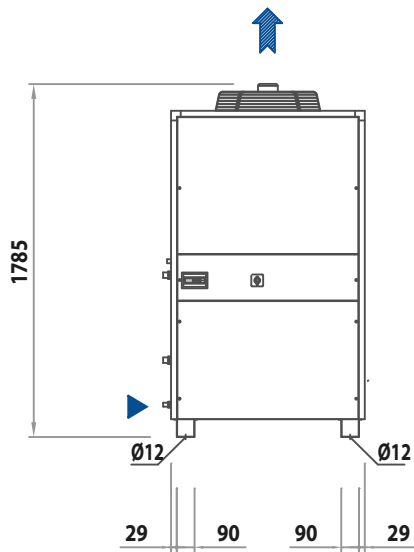
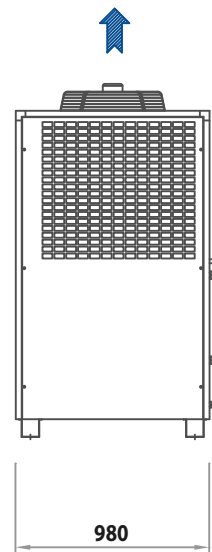


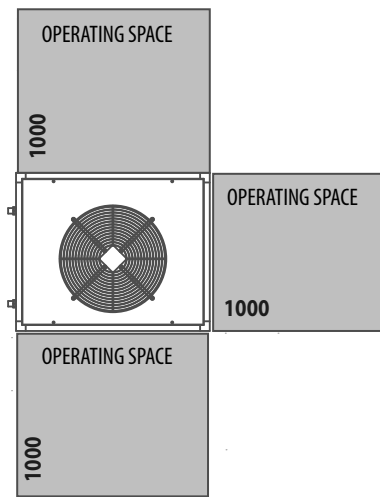
E_980x800



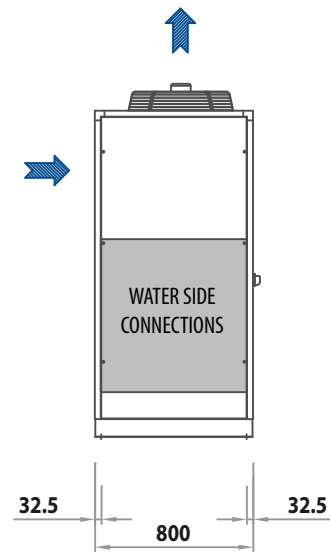
FRONT VIEW



BACK VIEW



TOP VIEW



SIDE VIEW

 CONDENSER AIR FLOW

 ELECTRIC CABLES INPUT