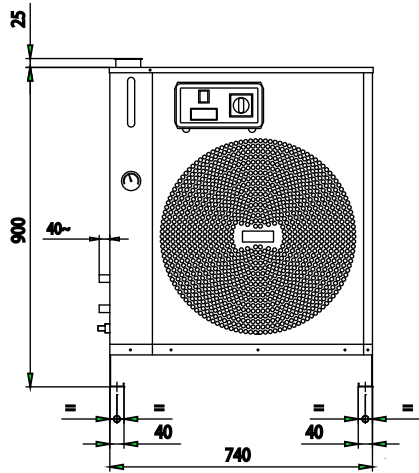
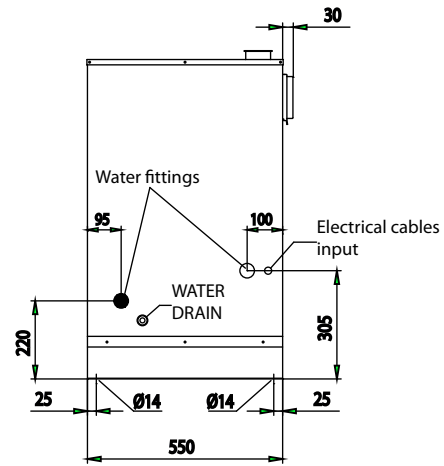


Dimensional drawing

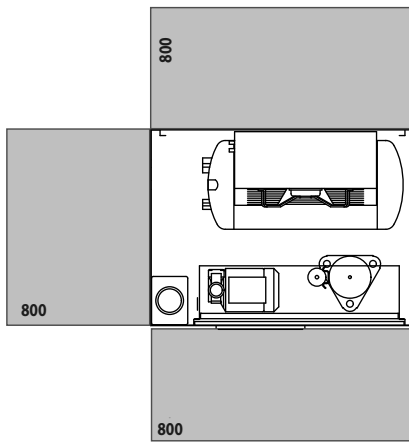
MEKRO



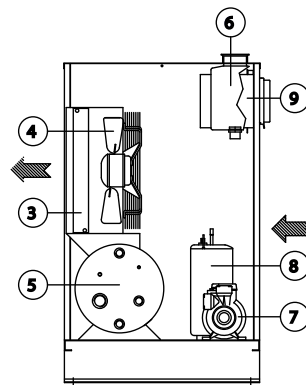
FRONT VIEW



BACK VIEW



TOP VIEW



SIDE VIEW



CONDENSER AIR FLOW