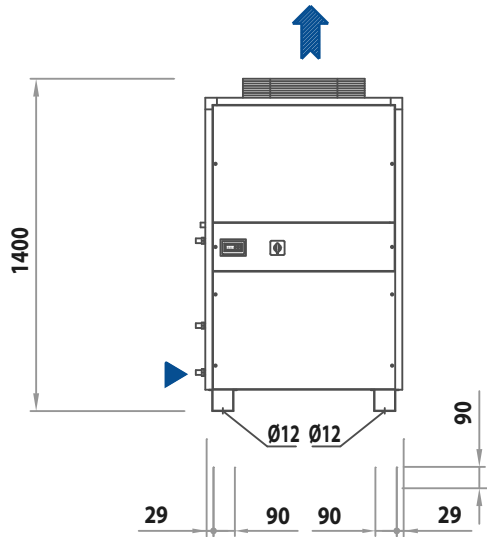
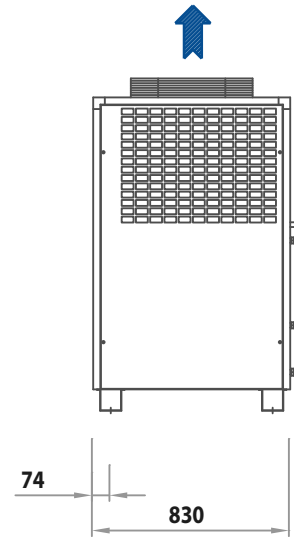


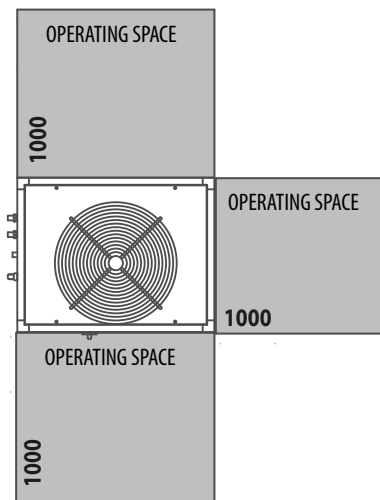
E_830x650



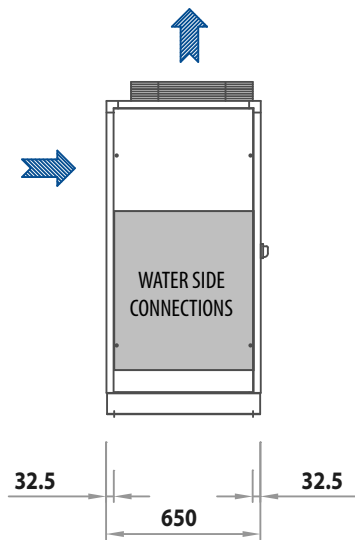
FRONT VIEW



BACK VIEW



TOP VIEW

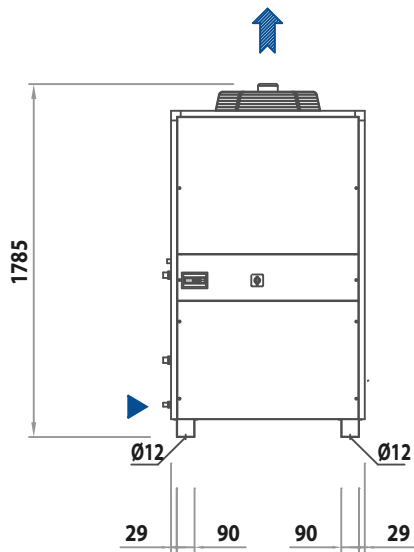


SIDE VIEW

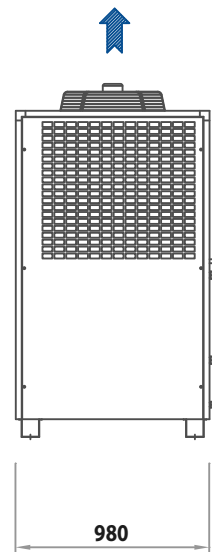
↑ CONDENSER AIR FLOW

▶ ELECTRIC CABLES INPUT

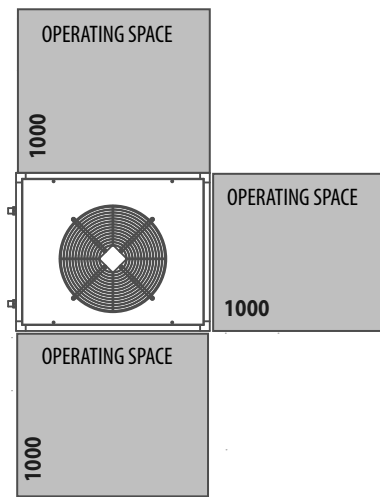
E_980x800



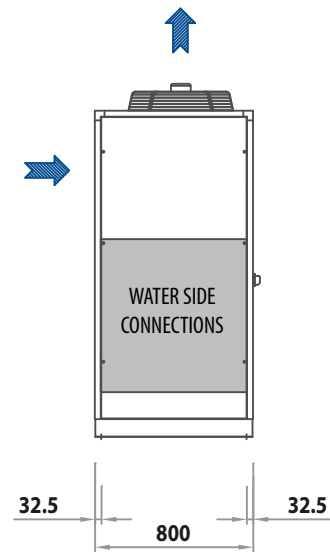
FRONT VIEW



BACK VIEW



TOP VIEW

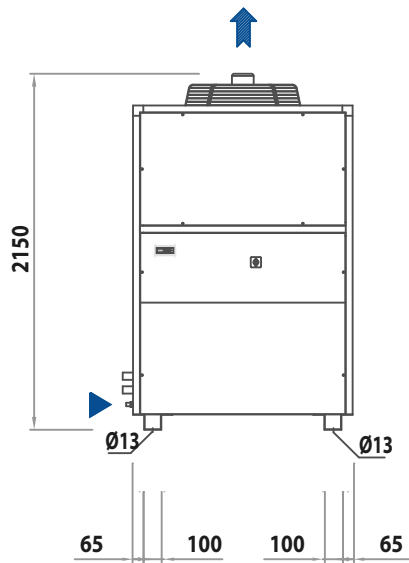


SIDE VIEW

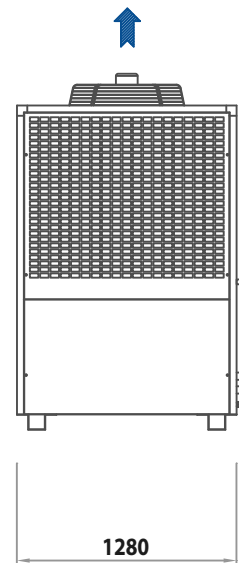
 CONDENSER AIR FLOW

 ELECTRIC CABLES INPUT

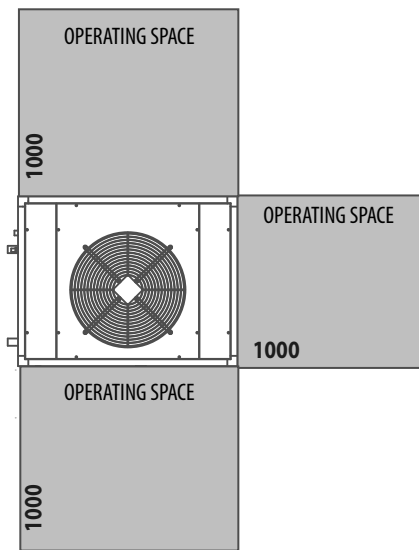
E_1 280x990



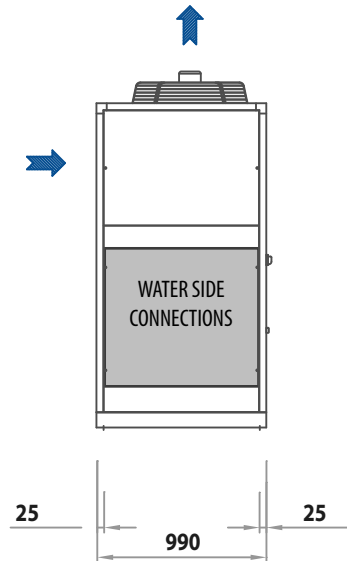
FRONT VIEW



BACK VIEW



TOP VIEW

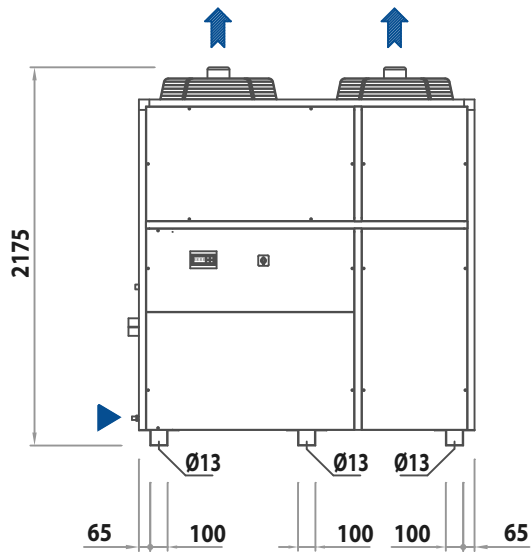


SIDE VIEW

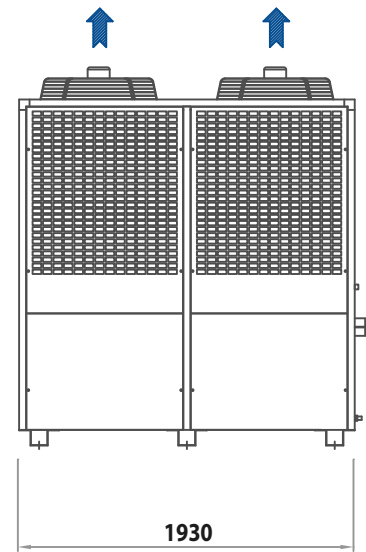
↑ CONDENSER AIR FLOW

▶ ELECTRIC CABLES INPUT

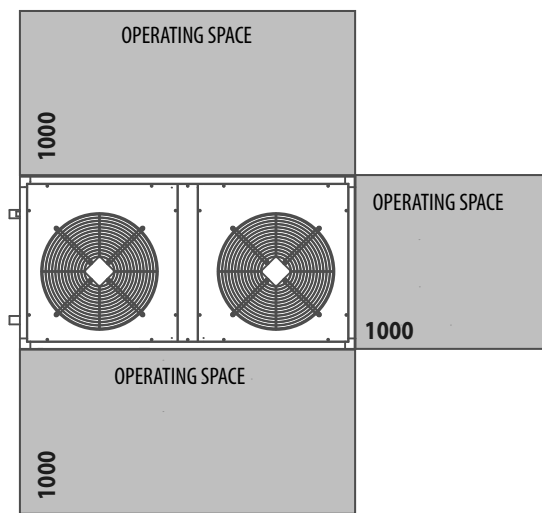
E_1 930x990



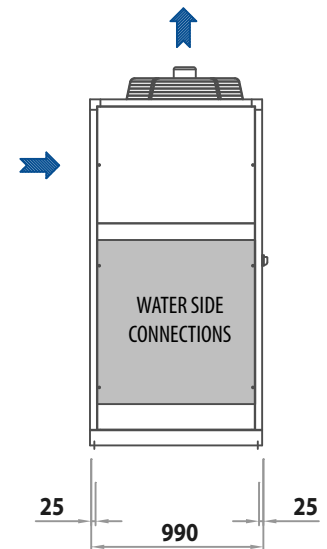
FRONT VIEW



BACK VIEW



TOP VIEW



SIDE VIEW

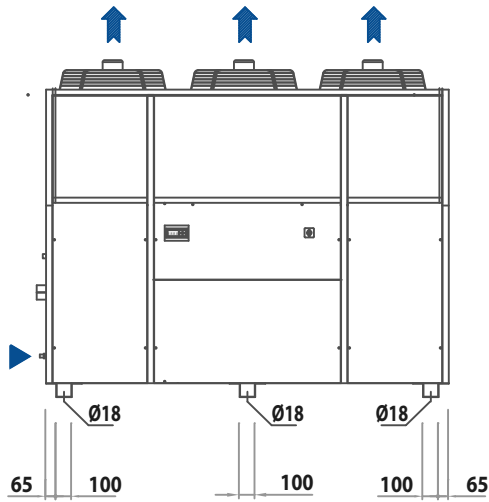


CONDENSER AIR FLOW

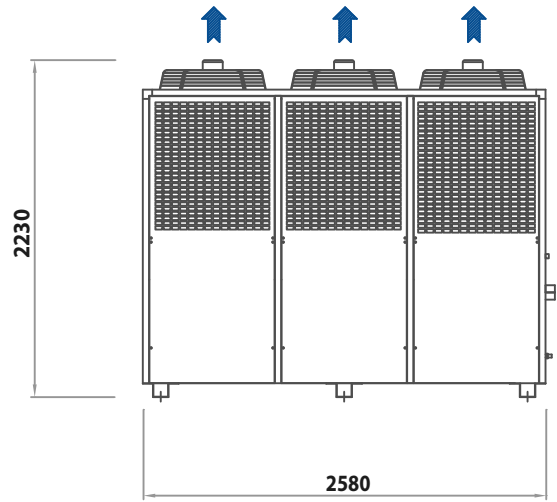


ELECTRIC CABLES INPUT

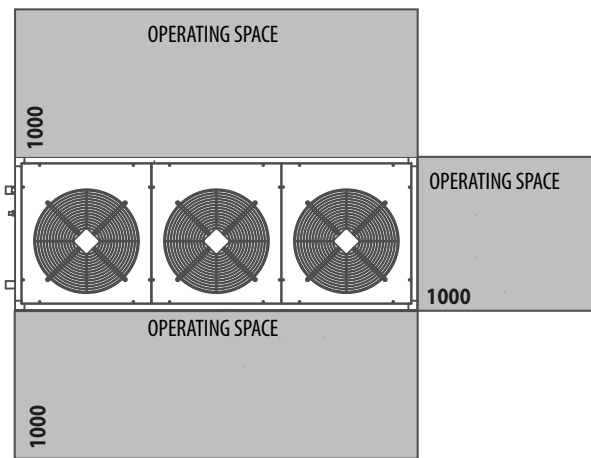
E_2580x990



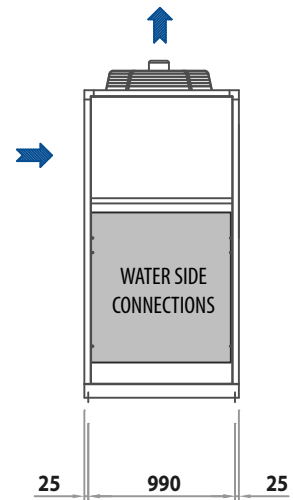
FRONT VIEW



BACK VIEW



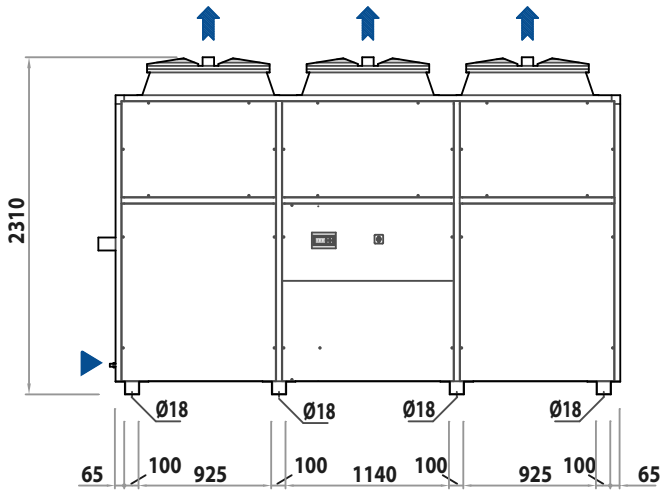
TOP VIEW



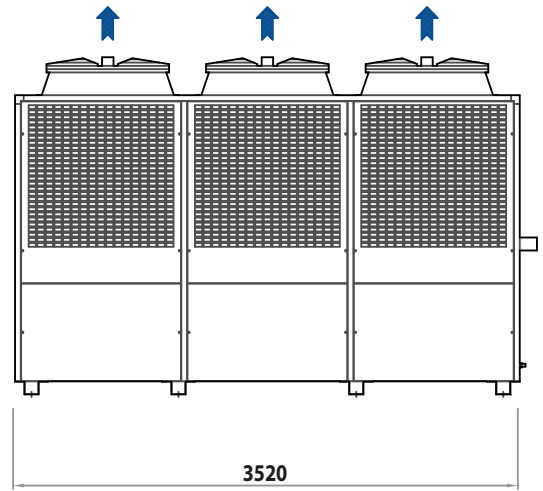
SIDE VIEW

-  CONDENSER AIR FLOW
-  ELECTRIC CABLES INPUT

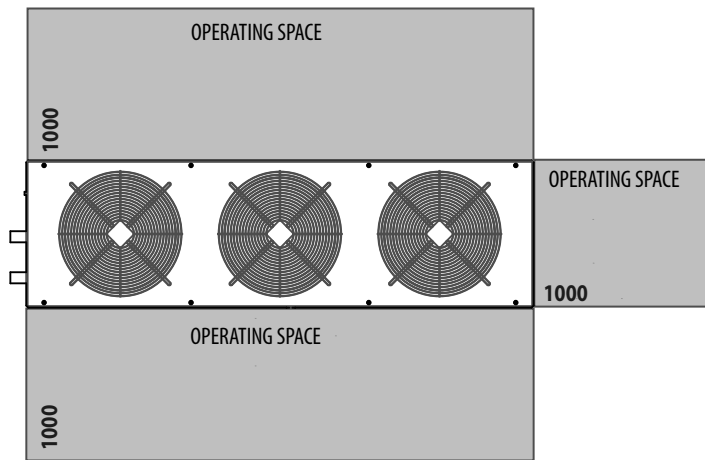
E_3520x990



FRONT VIEW



BACK VIEW



TOP VIEW



SIDE VIEW

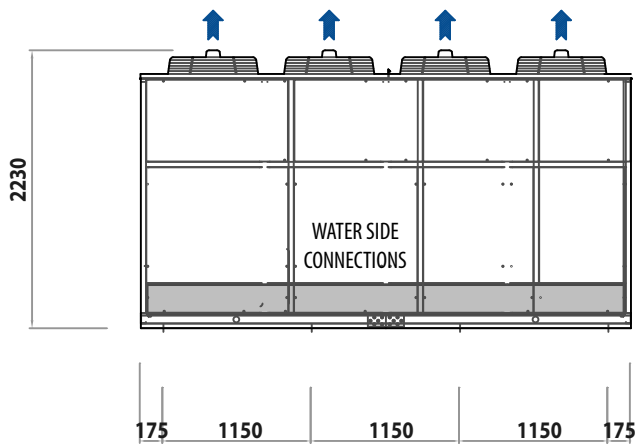


CONDENSER AIR FLOW

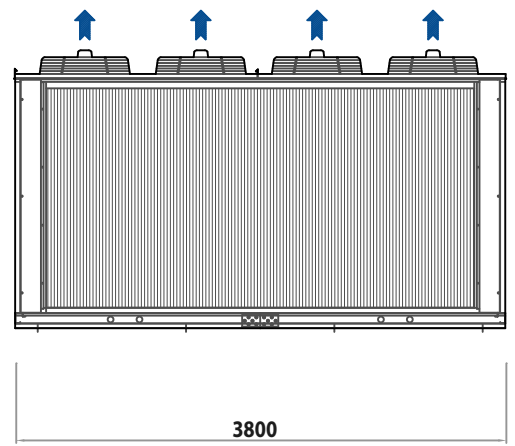


ELECTRIC CABLES INPUT

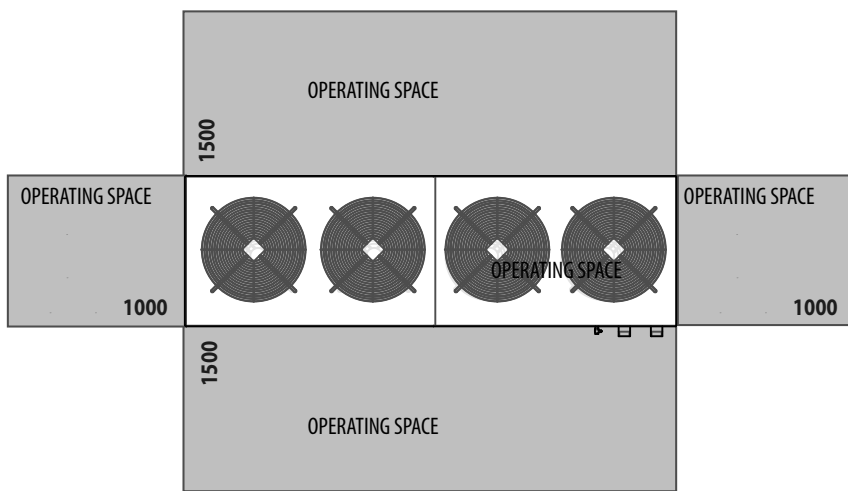
E_3800x1150



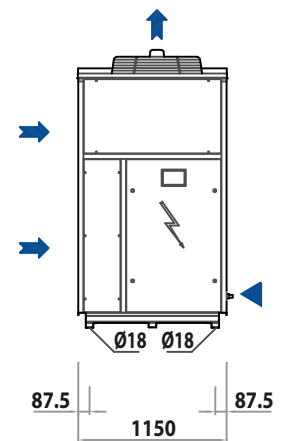
FRONT VIEW



BACK VIEW



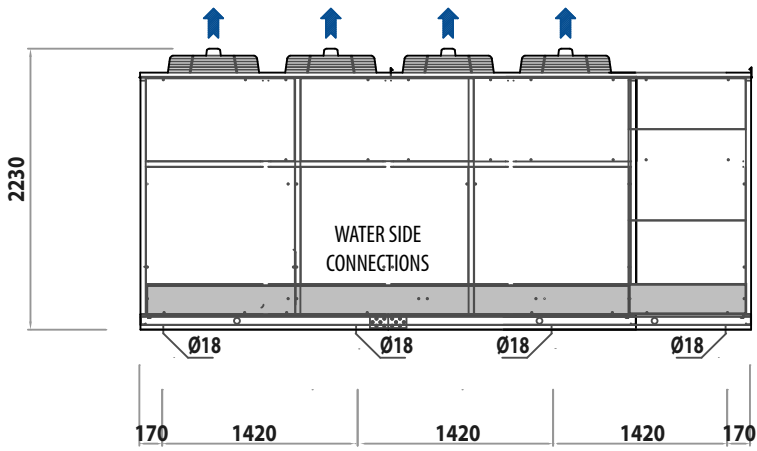
TOP VIEW



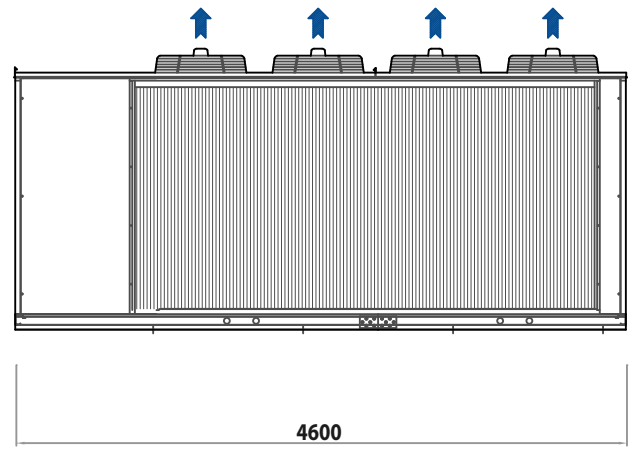
SIDE VIEW

-  CONDENSER AIR FLOW
-  ELECTRIC CABLES INPUT

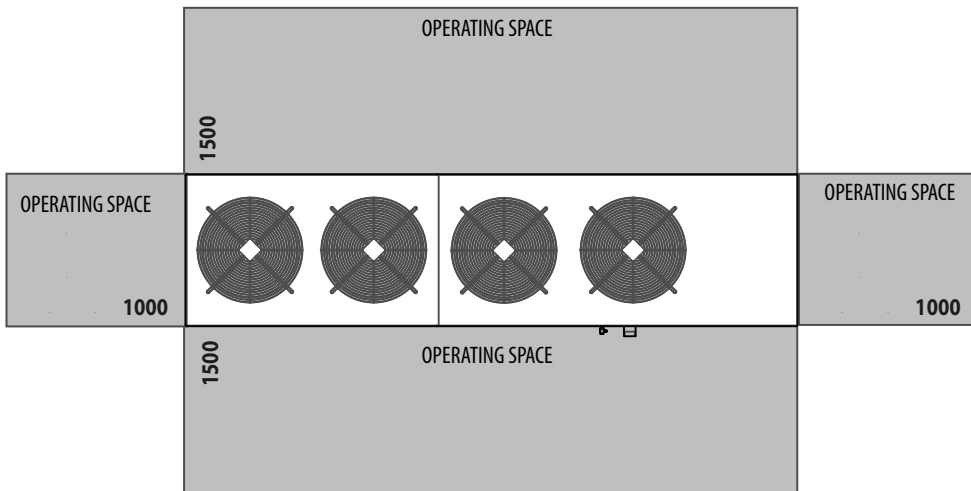
E_4600x1150



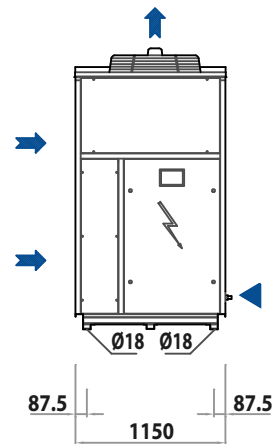
SIDE VIEW



SIDE VIEW



TOP VIEW



FRONT VIEW



CONDENSER AIR FLOW



ELECTRIC CABLES INPUT