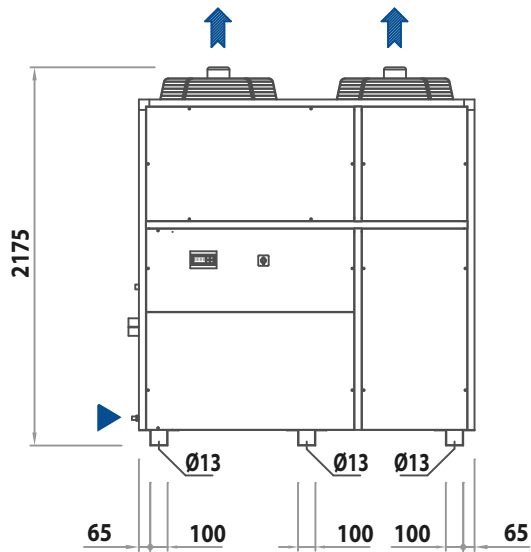
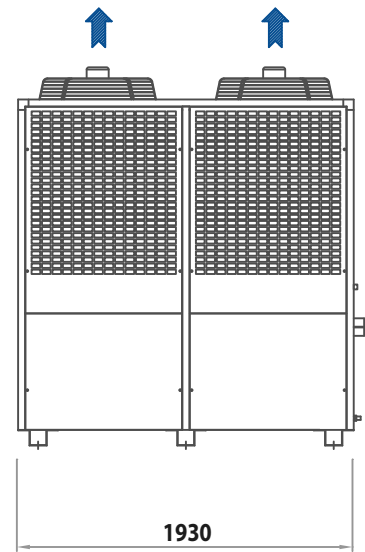


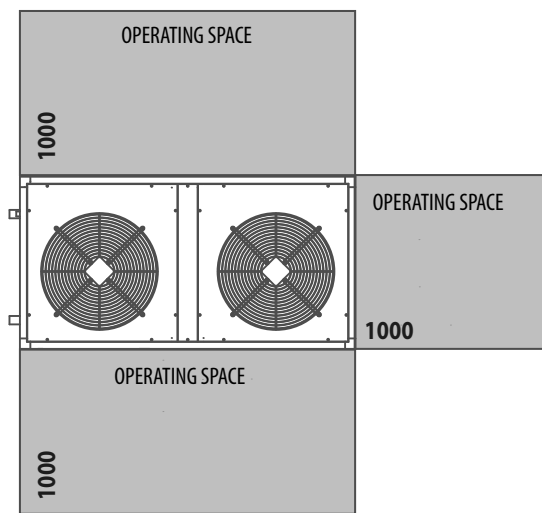
E_1 930x990



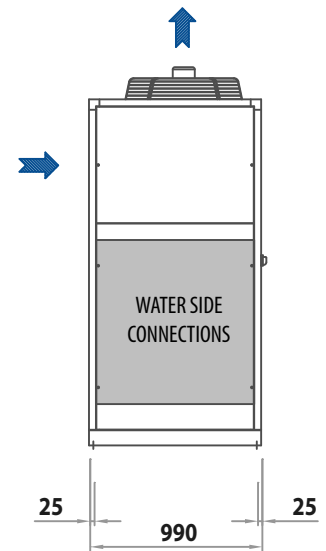
FRONT VIEW



BACK VIEW



TOP VIEW



SIDE VIEW

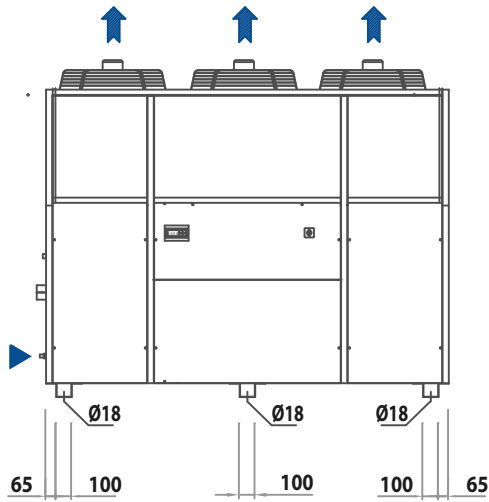


CONDENSER AIR FLOW

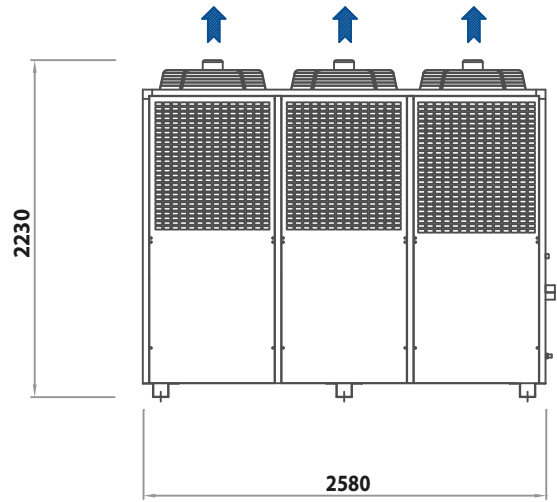


ELECTRIC CABLES INPUT

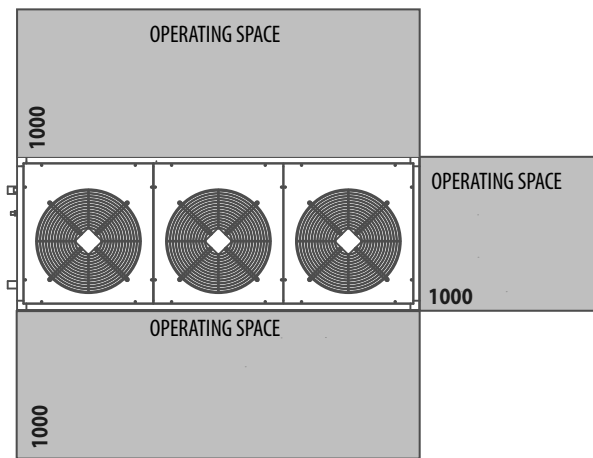
E_2580x990



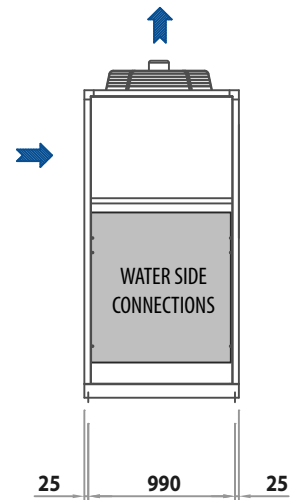
FRONT VIEW



BACK VIEW



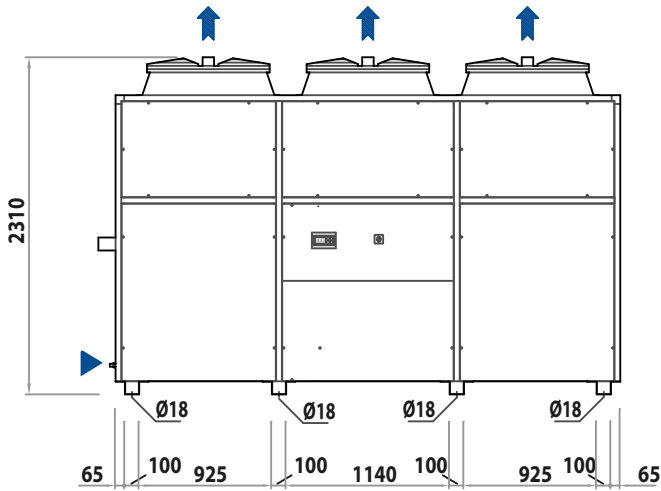
TOP VIEW



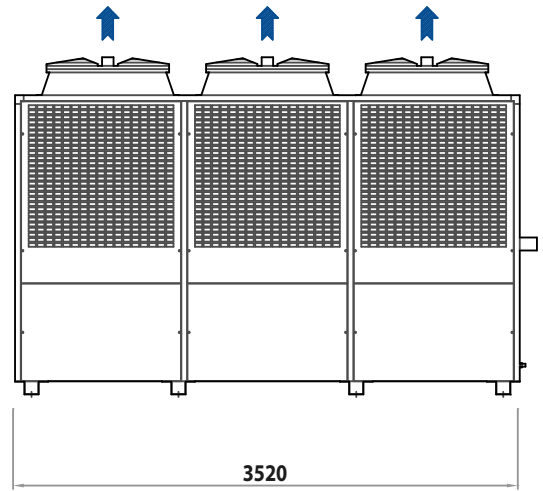
SIDE VIEW

-  CONDENSER AIR FLOW
-  ELECTRIC CABLES INPUT

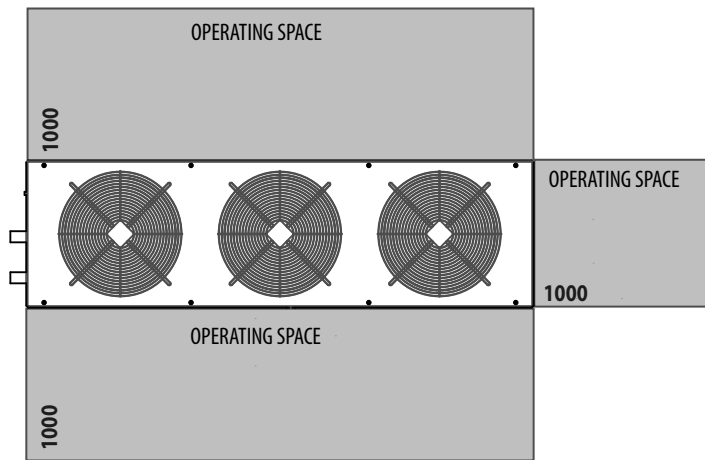
E_3520x990



FRONT VIEW



BACK VIEW



TOP VIEW



SIDE VIEW

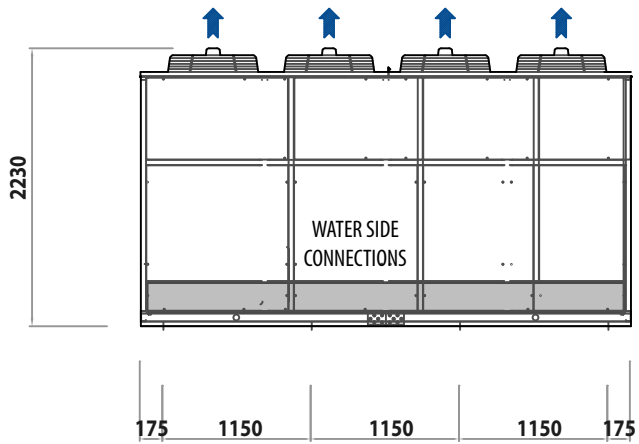


CONDENSER AIR FLOW

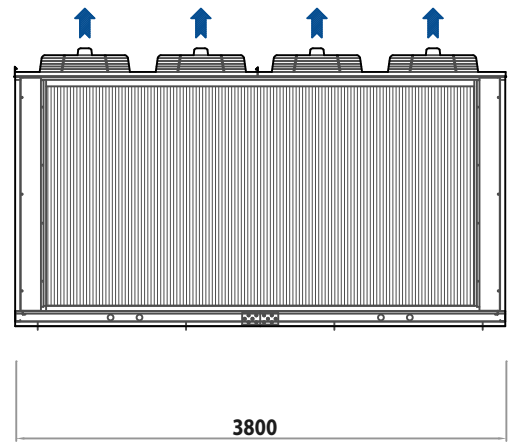


ELECTRIC CABLES INPUT

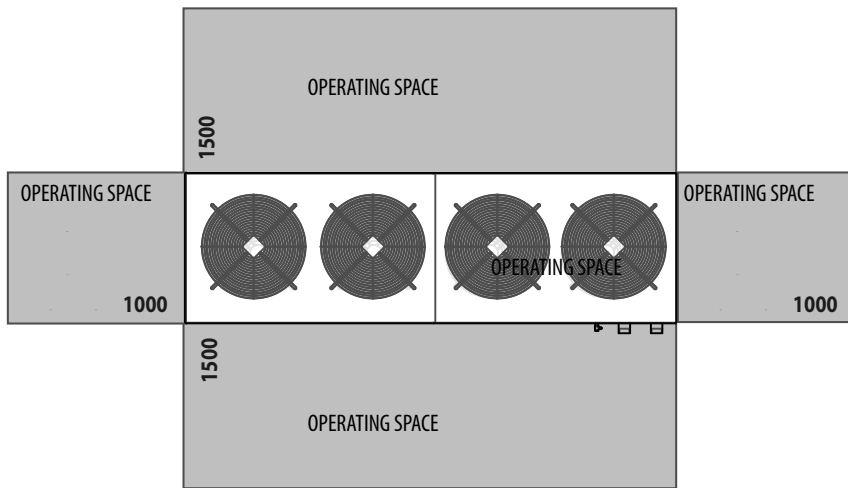
E_3800x1150



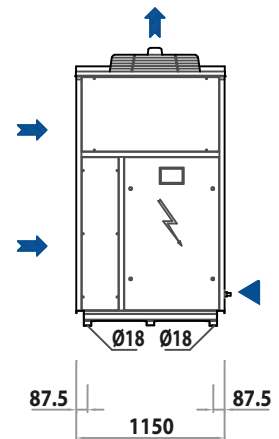
FRONT VIEW



BACK VIEW



TOP VIEW



SIDE VIEW

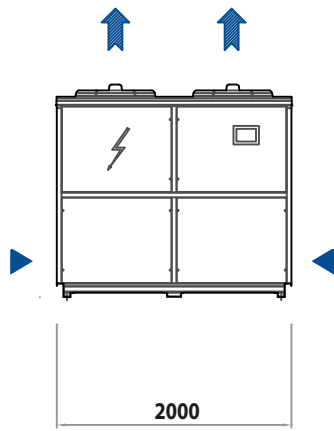


CONDENSER AIR FLOW

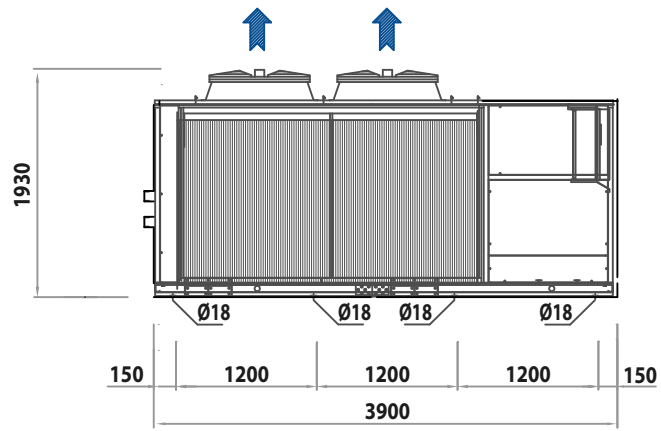


ELECTRIC CABLES INPUT

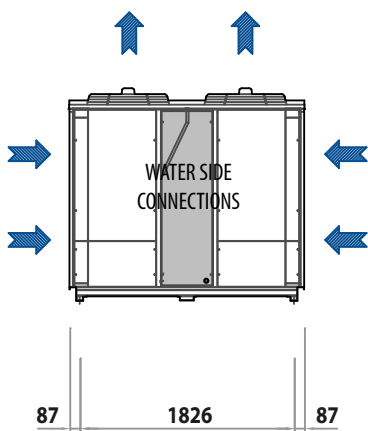
E_3900x2000



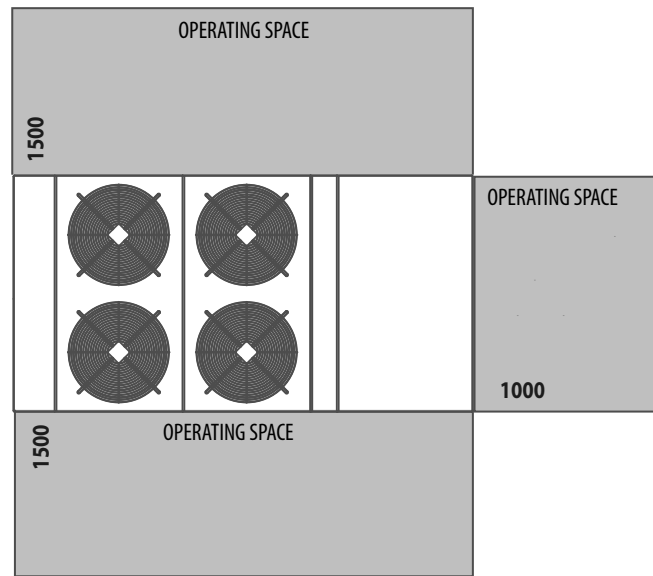
FRONT VIEW



SIDE VIEW



BACK VIEW

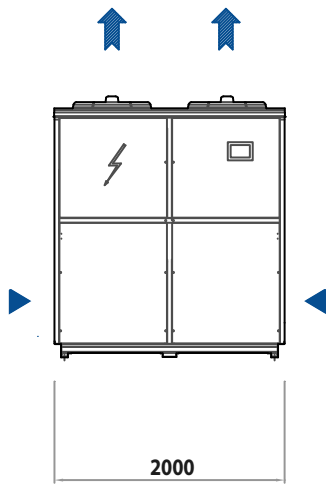


TOP VIEW

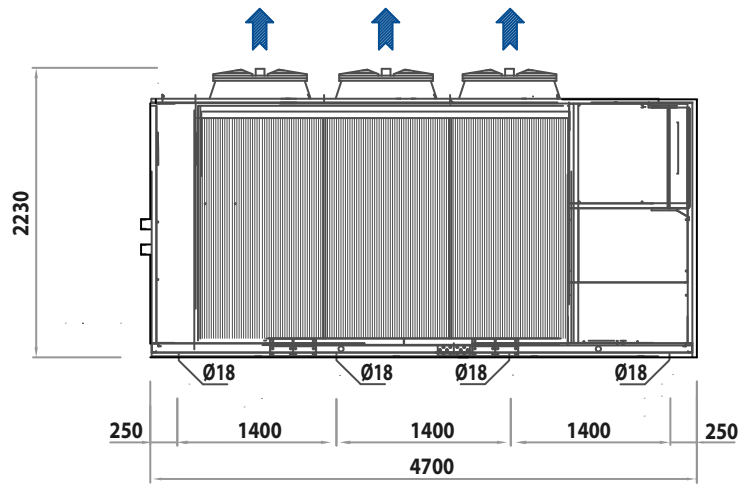
↑ CONDENSER AIR FLOW

◀ ELECTRIC CABLES INPUT

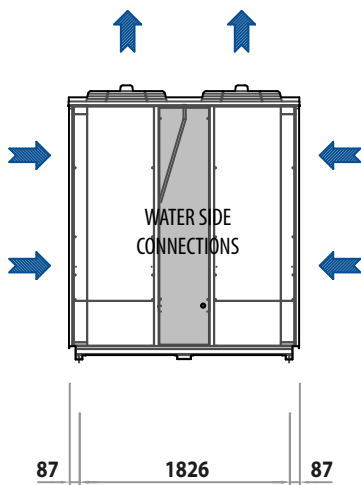
E_4700x2000



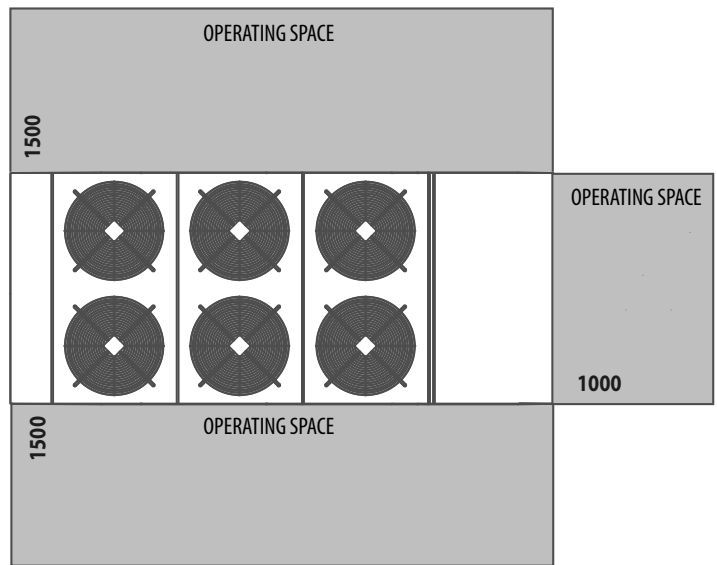
FRONT VIEW



SIDE VIEW



BACK VIEW



TOP VIEW



CONDENSER AIR FLOW



ELECTRIC CABLES INPUT