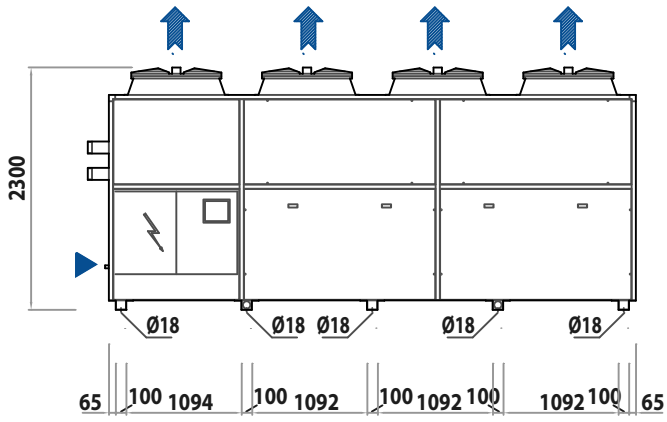
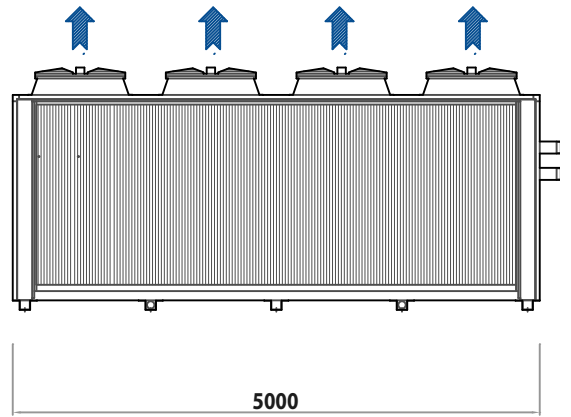


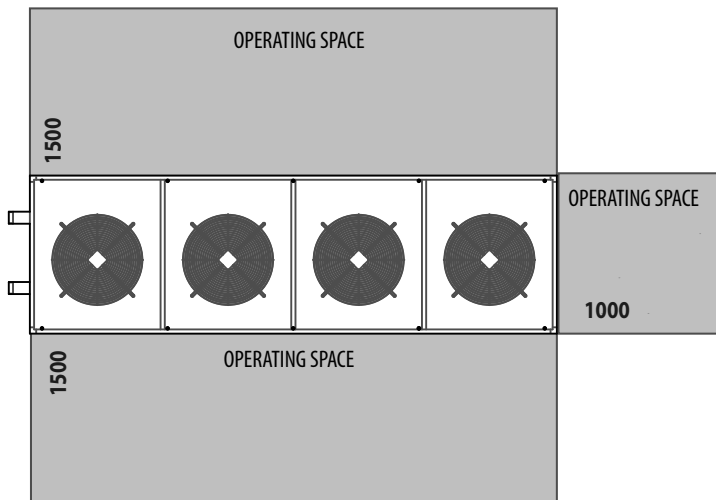
E_5000x1500



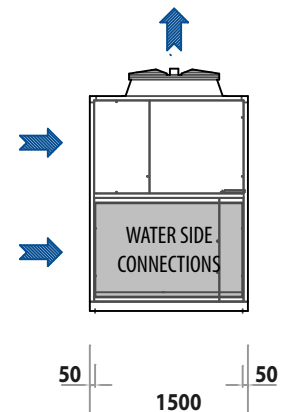
FRONT VIEW



BACK VIEW



TOP VIEW



SIDE VIEW

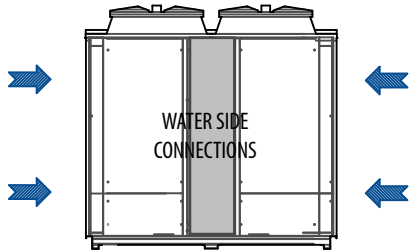


CONDENSER AIR FLOW

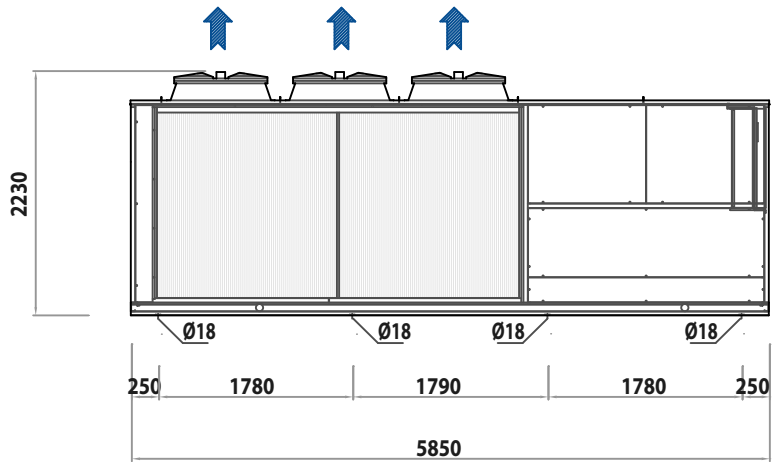


ELECTRIC CABLES INPUT

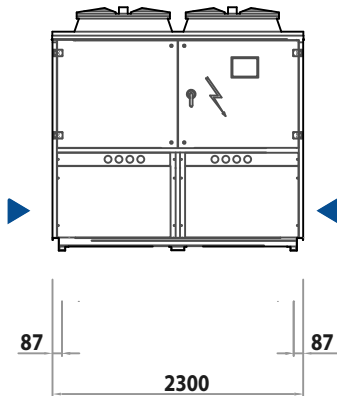
E_5850x2300



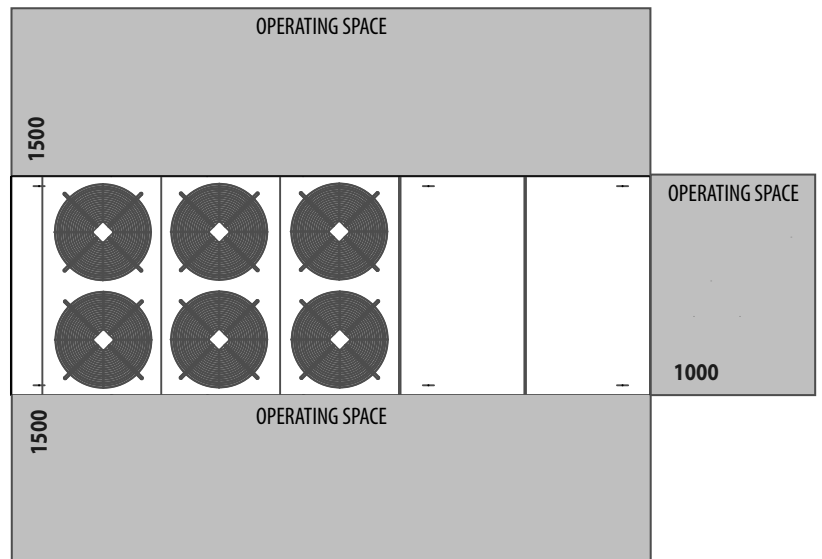
BACK VIEW



SIDE VIEW



FRONT VIEW



TOP VIEW

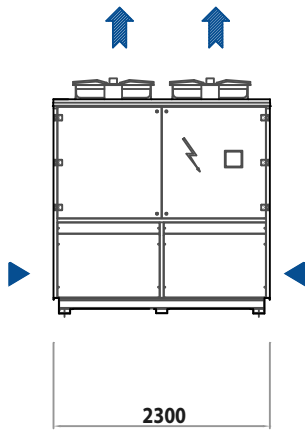


CONDENSER AIR FLOW

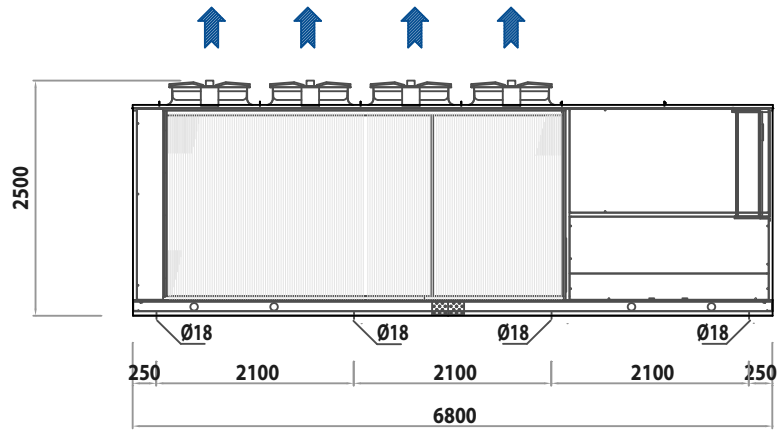


ELECTRIC CABLES INPUT

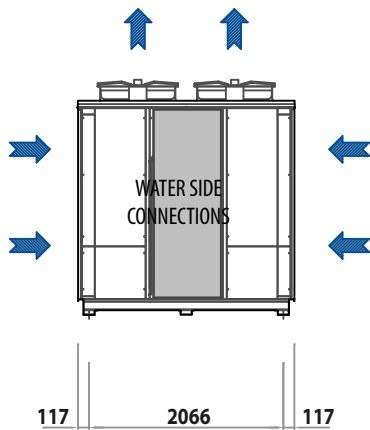
E_6800x2300



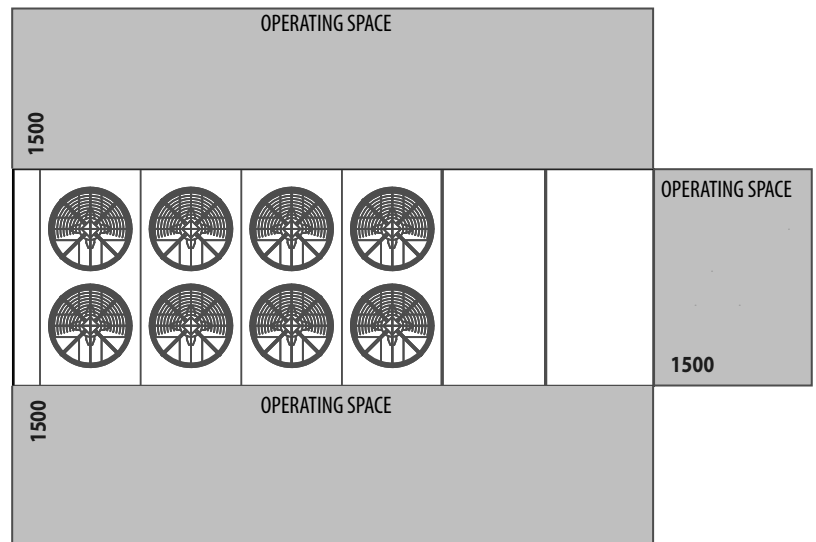
FRONT VIEW



SIDE VIEW



BACK VIEW



TOP VIEW



CONDENSER AIR FLOW



ELECTRIC CABLES INPUT