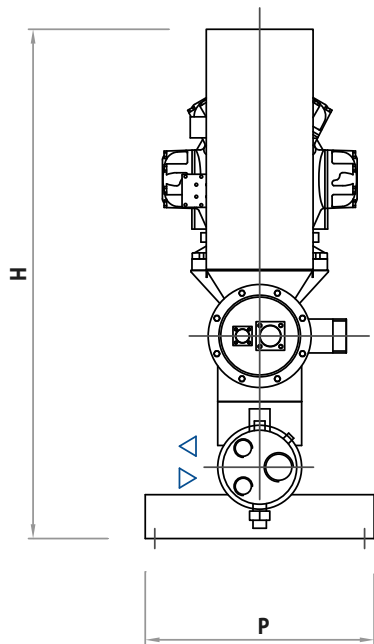
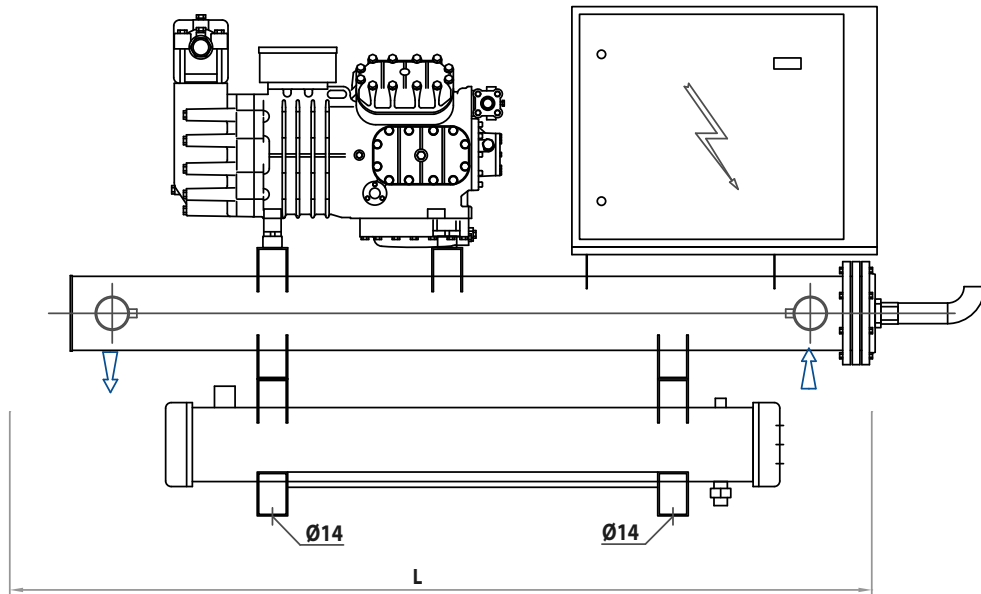


W_1 S



	L (mm)	P (mm)	H (mm)
0151 S	1750	600	1235
0201 S	1750	600	1235
0251 S	1650	600	1235
0301 S	1800	600	1235
0351 S	1990	600	1260
0401 S	2140	600	1260
0501 S	2030	600	1290
0601 S	2430	600	1320
0701 S	2630	700	1450

↑ ↓ EVAPORATOR CONNECTIONS

◁ ▷ CONDENSER CONNECTIONS

Note: INDICATIVE DIMENSIONS, FOR MORE DETAILS CONTACT THE SALES DEPARTMENT