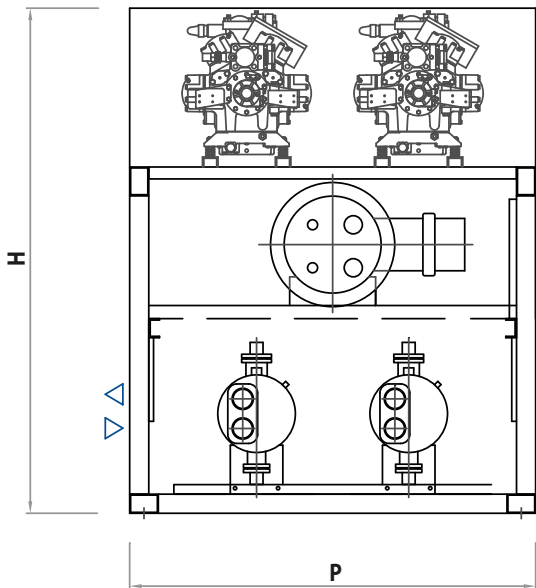
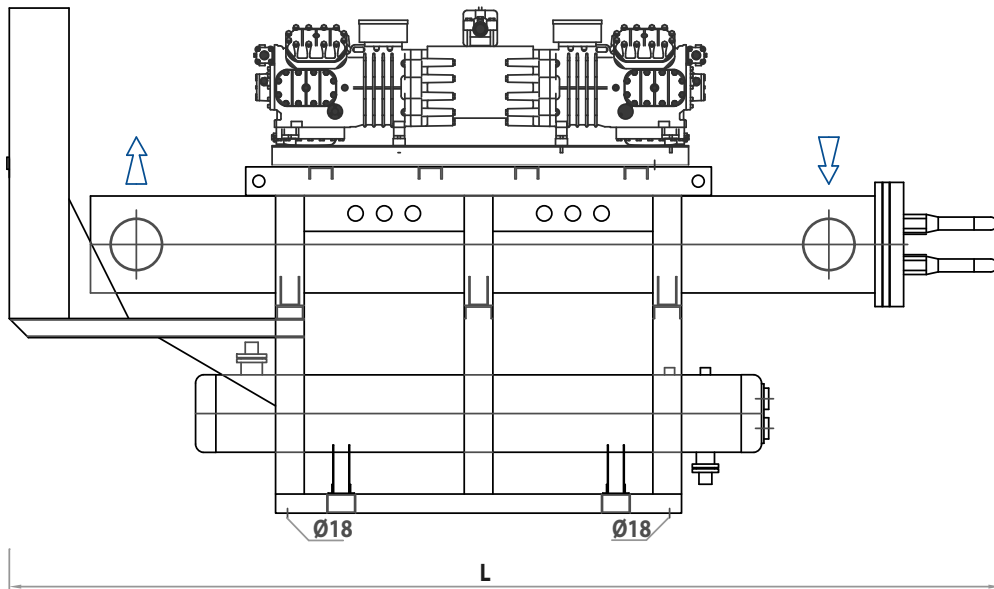


W_4S



	L (mm)	P (mm)	H (mm)
1404 S	3570	1350	1860
1604 S	3570	1350	1860
2004 S	3570	1350	1860
2404 S	3570	1350	1860
2804 S	3570	1600	1910

↑ ↓ EVAPORATOR CONNECTIONS

◁ ▷ CONDENSER CONNECTIONS

Note: INDICATIVE DIMENSIONS, FOR MORE DETAILS CONTACT THE SALES DEPARTMENT